

GAIA - XS (PG & PPG)

| NAME | QUANTITY | MATERIAL | LL LENGTH | WIRE LENGTH |
|------------|----------|---------------------|--------------|-------------|
| A1 | 2 | 7850-080-222 | 107,0 | 583 |
| A2 | 2 | 7850-080-222 | 105,0 | 581 |
| AU1 | 2 | 7850-200-222 | 476,0 | |
| A3 | 2 | 7850-080-222 | 209,0 | 580 |
| A4 | 2 | 7850-080-222 | 202,5 | 573,5 |
| A5 | 2 | 7850-080-222 | 206,5 | 577,5 |
| AU2 | 2 | 7850-200-222 | 371,0 | |
| A6 | 2 | 7850-080-222 | 202,5 | 573,5 |
| A7 | 2 | 7850-080-222 | 198,0 | 569 |
| A8 | 2 | 7850-080-222 | 195,0 | 566 |
| AU3 | 2 | 7850-160-222 | 371,0 | |

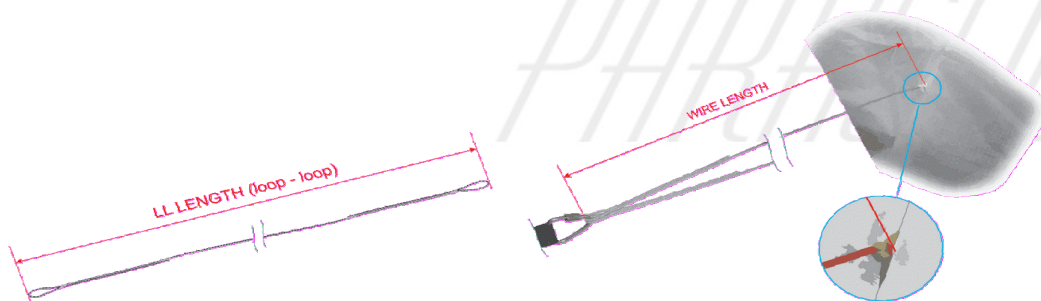
| NAME | QUANTITY | MATERIAL | LL LENGTH | WIRE LENGTH |
|------------|----------|---------------------|--------------|-------------|
| C1 | 2 | 7850-080-304 | 103,5 | 579,5 |
| C2 | 2 | 7850-080-304 | 101,5 | 577,5 |
| CU1 | 2 | 7850-160-248 | 476,0 | |
| C3 | 2 | 7850-080-304 | 206,0 | 577 |
| C4 | 2 | 7850-080-304 | 200,0 | 571 |
| C5 | 2 | 7850-080-304 | 204,5 | 575,5 |
| CU2 | 2 | 7850-160-248 | 371,0 | |
| C6 | 2 | 7850-080-304 | 201,0 | 572 |
| C7 | 2 | 7850-080-304 | 197,0 | 568 |
| C8 | 2 | 7850-080-304 | 193,5 | 564,5 |
| CU3 | 2 | 7850-160-248 | 371,0 | |

| NAME | QUANTITY | MATERIAL | LL LENGTH | WIRE LENGTH |
|-----------|----------|--------------------|--------------|-------------|
| A9 | 2 | 7850-080-400 | 83,0 | 536,5 |
| A10 | 2 | 7850-080-400 | 70,5 | 524,0 |
| B9 | 2 | 7850-080-400 | 82,0 | 535,5 |
| C9 | 2 | 7850-080-400 | 89,0 | 542,5 |
| SA | 2 | 7850-080-400 | 61,0 | 514,5 |
| SB | 2 | 7850-080-400 | 63,5 | 517 |
| SO | 2 | 7850-080-400 | 227,0 | |
| SU | 2 | 7850-160-07 | 227,0 | |

| | | | | |
|------------|----------|---------------------|--------------|-------|
| B1 | 2 | 7850-080-372 | 101,5 | 577,5 |
| B2 | 2 | 7850-080-372 | 99,5 | 575,5 |
| BU1 | 2 | 7850-200-372 | 476,0 | |
| B3 | 2 | 7850-080-372 | 204,0 | 575 |
| B4 | 2 | 7850-080-372 | 198,0 | 569 |
| B5 | 2 | 7850-080-372 | 202,5 | 573,5 |
| BU2 | 2 | 7850-200-372 | 371,0 | |
| B6 | 2 | 7850-080-372 | 199,0 | 570 |
| B7 | 2 | 7850-080-372 | 195,5 | 566,5 |
| B8 | 2 | 7850-080-372 | 193,0 | 564 |
| BU3 | 2 | 7850-160-372 | 371,0 | |

| | | | | |
|------------|----------|---------------------|--------------|-------|
| D1 | 2 | 7850-080-400 | 114,5 | 590,5 |
| D2 | 2 | 7850-080-400 | 112,5 | 588,5 |
| E1 | 2 | 7850-080-400 | 121,5 | 597,5 |
| DU1 | 2 | 7850-160-400 | 476,0 | |
| D3 | 2 | 7850-080-400 | 216,5 | 587,5 |
| D4 | 2 | 7850-080-400 | 107,0 | 581,0 |
| E2 | 2 | 7850-080-400 | 115,5 | 589,5 |
| DO | 2 | 7850-080-400 | 103,0 | |
| D5 | 2 | 7850-080-400 | 214,0 | 585,0 |
| DU2 | 2 | 7850-160-400 | 371,0 | |
| D6 | 2 | 7850-080-400 | 209,0 | 580 |
| D7 | 2 | 7850-080-400 | 203,0 | 574 |
| D8 | 2 | 7850-080-400 | 196,5 | 567,5 |
| DU3 | 2 | 7850-160-400 | 371,0 | |

| | | | | |
|-----------|----------|---------------------|--------------|-------|
| F1 | 2 | 7850-080-114 | 246,5 | 663,5 |
| F2 | 2 | 7850-080-114 | 224,0 | 641 |
| F3 | 2 | 7850-080-114 | 210,5 | 627,5 |
| F4 | 2 | 7850-080-114 | 200,5 | 617,5 |
| F5 | 2 | 7850-080-114 | 189,0 | 606 |
| F6 | 2 | 7850-080-114 | 190,0 | 607 |
| F7 | 2 | 7850-080-114 | 187,5 | 604,5 |
| F8 | 2 | 7850-080-114 | 178,0 | 595,0 |
| F9 | 2 | 7850-080-114 | 166,5 | 583,5 |
| FO | 6 | 7850-100-114 | 211,0 | |
| FU | 2 | 7850-200-114 | 211,0 | |



- 1) Before checking the wire length, pre-tension the line by the load of 22 kilograms for about 3 seconds per each line.
- 2) Always measure the wire length only when the line is tensioned by 5 kilograms.
- 3) If you need to cut the new line, the line has to be stabilized by the tension of 22 kilograms and only then could be cut under the tension of 5 kilograms.