



GAIA 2

User manual for GAIA 2 S, M, L, XL

Bedienungsanleitung für das Gleitschirmmodell
GAIA 2 S, M, L, XL

Návod k obsluze pro GAIA 2 S, M, L, XL

2019

Thank you for choosing this product from Sky Paragliders. Thank you for buying GAIA 2.

We hope you will be satisfied with this product and wish you many happy flights. We strongly recommend that you consult the manual before the first flight. This manual is designed to help you to familiarise yourself with your glider quickly.

Danke, für den Kauf eines Produkts von Sky Paragliders. Danke, dass Sie sich für den Kauf des GAIA 2 entschieden haben.

Wir hoffen, dass Sie mit diesem Produkt zufrieden sein werden und wünschen Ihnen viele schöne Flüge. Wir empfehlen dringend, vor dem ersten Flug dieses Handbuch zu lesen. Das Handbuch kann Ihnen helfen, sich mit dem Produkt schneller vertraut zu machen.

Děkujeme, že používáte produkty Sky Paragliders. Děkujeme Vám za zakoupení padákového kluzáku GAIA 2.

Doufáme, že budete s tímto výrobkem spokojeni. Přejeme Vám krásné lety. Důrazně Vám doporučujeme, abyste si manuál velmi důkladně přečetli. Pomůže Vám k rychlejšímu seznámení s výrobkem.

Team Sky Paragliders



GAIA 2

ENG / DE / CZ

Contents	5
Inhalt	13
Obsah	21



GAIA 2

ENG

INTRODUCTION

Congratulations on becoming part of the Sky family. We are very pleased to welcome you to the world of Sky and hope that you will enjoy many hours of fantastic flying aboard your Sky Paragliders glider.

Sky Paragliders is based in the heart of Europe and we pride ourselves on our own, purpose built, state of the art production facilities in the Czech Republic. Our management and development teams are located just 25 steps above the glider production facility. This close contact is incredibly important to us and helps to ensure that our products are of the highest quality possible and with minimal air miles on our raw materials.



Contents

1. GENERAL INFORMATION	6		
1.1. User manual for GAIA 2			
2. PILOT PROFILE	6		
3. DIMENSIONS, DIAGRAMS AND SPECIFICATIONS	7		
3.1. Cross section			
3.2. Line plan			
3.3. Tech. Spec.			
3.4. Riser lengths			
4. TAKE-OFF, FLIGHT AND FLYING TECHNIQUES	8		
4.1. Pre-flight Checks			
4.2. Take-off			
4.3. Landing			
4.4. Turning			
4.5. Rapid Descent Techniques			
4.6. Performance & Use of Brakes			
4.7. Use of Speed Bar			
4.8. Asymmetric or Frontal (Symmetric)			
4.9. Full Stall			
4.10. Flying Without Brakes			
4.11. Comments on the Testing Procedures			
4.12. Adjustment of the harness			
5. MAINTENANCE & CHECKS	11		
5.1. Advice on Maintenance			
5.2. Pre-delivery Control			
5.3. Guarantee			
6. DISPOSAL	11		

1. GENERAL INFORMATION

1.1. User manual for GAIA 2

GAIA 2 is a glider of EN A category (according to EN 926-2:2013 & EN 926-1:2006 & LTF 91/09) and is well suited for pilots who just finished their training.

As the glider's characteristics remain in the range of the category description (entry level EN A), the glider is safe for occasional pilots and pilots with a limited airtime time.

- This user manual version dated 29th January 2019.
- GAIA 2 has been certified in Category A, having met all the requirements of regulation EN 926-2:2013, EN 926-1:2006 and LTF NFL II 91/09.
- Total minimum and maximum weights in flight: see the technical data.
- Maximum brake range at maximum take-off load: conforms to EN 926-2/2013.
- The pilot must comply with legal regulations in the country of flight. This guide conforms to requirements specified by EN 926-2:2013 as well as LTF NFL II 91/09 for user manuals.

Please note that any changes to the paraglider will invalidate the result of the certification. Correct usage of the glider is the pilot's responsibility. The manufacturer and distributor do not accept liability for loss or damage as a result of the misuse of this paraglider. The pilot is responsible for the airworthiness of the aircraft.

Name and address of manufacturer:

Sky Paragliders a.s.

Okružní 39 739 11 Frýdlant nad Ostravicí, Czech Republic
info@sky-cz.com
www.sky-cz.com

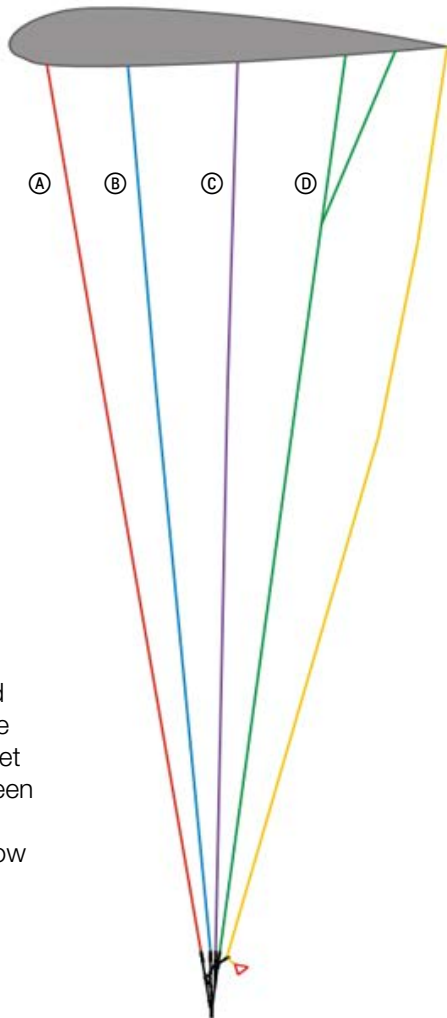
2. PILOT PROFILE

GAIA 2 is a glider with corresponding passive safety and tolerates mistakes in its handling. GAIA 2 is well suited for novice pilots but offers very usable performance and handling for even those pilots with more experience who often fly in the lower B category.



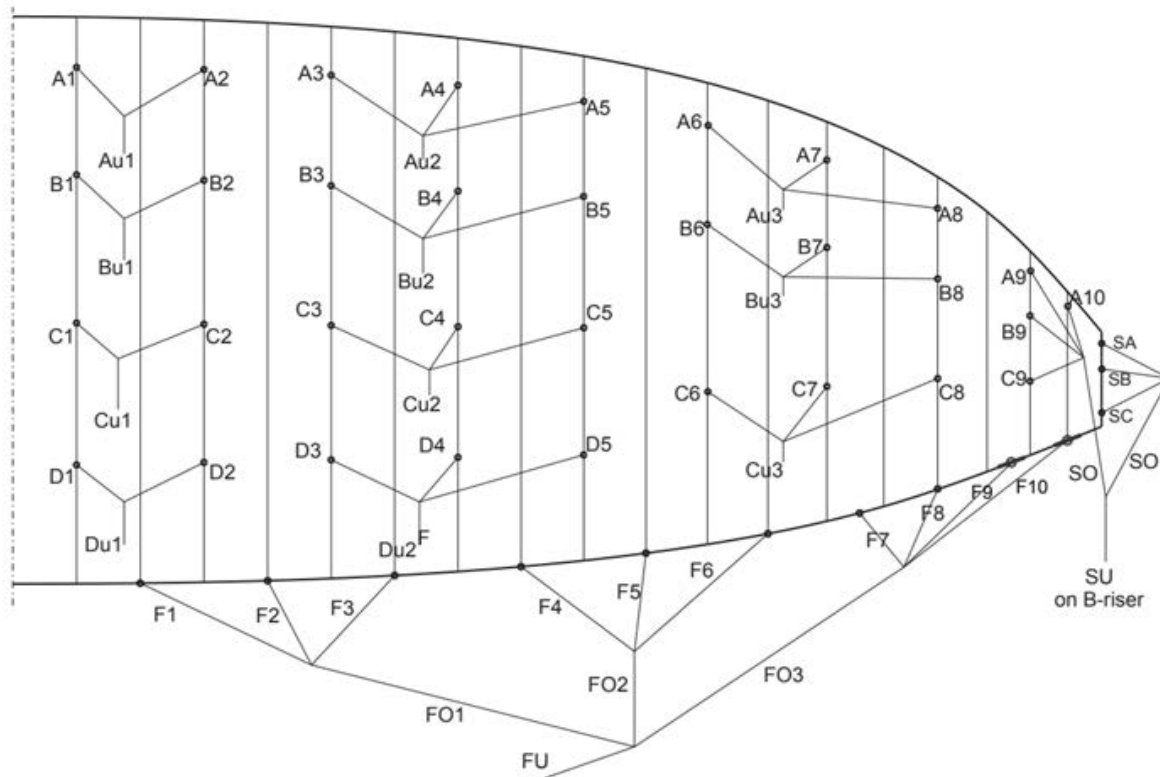
3. DIMENSIONS, DIAGRAMS AND SPECIFICATIONS

3.1. Cross section



A Lines – red
 B Lines – blue
 C Lines – violet
 D Lines – green
 Brakes – yellow

3.2. Line plan



3.3. Tech. Spec.

<i>GAIA 2</i>	<i>S</i>	<i>M</i>	<i>L</i>	<i>XL</i>
Layout surface (m ²)	23,30	25,20	27,13	29,34
Layout span (m)	10,49	10,91	11,32	11,77
Layout aspect ratio	4,72	4,72	4,72	4,72
Projected surface (m ²)	20,68	22,37	24,08	26,05
Projected span (m)	8,32	8,65	8,98	9,33
Projected aspect ratio	3,35	3,35	3,35	3,35
Number of cells	38	38	38	38
Weight of the glider (kg)	4,20	4,45	4,75	5,10
Take-off weight range (kg)	58-82	73-97	88-112	102-130
Maximum symmetric control travel at maximum weight in flight (cm)	see the certification protocols			
Certification EN/LTF	A	A	A	A

3.4. Riser lengths



Basic setting	S, M	L, XL
A, A'	47 cm	50 cm
B	47 cm	50 cm
C	47 cm	50 cm
D	47 cm	50 cm
Accelerated	S, M	L, XL
A, A'	32 cm	33,5 cm
B	33,5 cm	36,5 cm
C	40 cm	43 cm
D	47 cm	50 cm
Length of the speed system	15 cm	16,5 cm

Adjustable, removable or variable device: none.
The risers have no trimmers.

Tolerance: +/- 5 mm

4. TAKE-OFF, FLIGHT AND FLYING TECHNIQUES

In general, the GAIA 2 will behave conventionally to most paragliders. However, listed below are several points which will enable you to familiarise yourself with your new glider more rapidly.

4.1. Pre-flight Checks

- Check the sail for damage to both surfaces, the internal structure (ribs, diagonals) and seams.
- Check that the lines are not damaged or tangled.
- Check that the quick-links which connect the lines to the risers are undamaged and correctly tightened.
- Lastly, check that the brake handles are correct.

4.2. Take-off

Lay the paraglider out with the leading edge in a horseshoe shape. Hold the A risers close to the quick links and move forward until the lines get stretched. You should now be perfectly centered with your wing. With no wind or light headwind, with lines stretched, GAIA 2 inflates rapidly and rises over your head with some dynamic steps.

We recommend that you do not pull the risers too far forward or down, which could cause a collapse of the leading edge, but simply follow them until your glider reaches its angle of flight. It is important that the gravity center of your body stays in front of your feet during the rise of the glider to constantly load the risers.

A controlled inflation allows you to check the wings and lines during the last phase as it comes up and thus avoids the need to use brakes. Depending on the wind conditions or the slope, an adequate use of brakes can help you to take-off more quickly.

Towing

The GAIA 2 may be tow-launched. It is the pilot's responsibility to use suitable harness, attachments and release mechanism. Tow pilot should be qualified to tow.

When towing pilot must be certain that the paraglider is completely over your head before you start. In each case the maximum tow force needs to correspond to the body weight of the pilot.

4.3. Landing

Because of the exceptional glide, high caution is recommended in the stages of approach and landing. GAIA 2 is an agile glider, any action on the brakes may cause significant reactions. It is therefore recommended to execute the first flights in a familiar environment and under easy conditions. With negative steering there is more time for the maneuvers to be performed steadily, which results in reducing the pendulum movements of the paraglider.

Reminder: Negative steering involves applying the brakes symmetrically by about 30% of the maximum range to slow the paraglider and a simultaneous turning by means of releasing the outside brake. Speeding up just prior to landing allows a more effective flare and therefore a gentler landing.

4.4. Turning

GAIA 2 was designed to perform well in turns and will core the thermals even without active piloting. Negative steering (see above), on the one hand slows the paraglider in certain phases of the flight and on the other hand reduces excessive rolling during turn reversals. It is not only designed to turn (with approx. 30% brake) but also to fly slowly in order to help identify the areas of lift and to keep the paraglider flatter to minimize the sink rate in a turn (with 15% brake).

Symmetrical brake-input at 20-30 % enables you to keep your wing under control – to brake further when pitching and to release when the canopy banks up.

4.5. Rapid Descent Techniques

In order to descend, the paraglider must be moved away from the areas of lift. In case any difficulties occur, the following techniques can be used to increase the sink rate.

Big Ears

Pull at the outside A lines until the wingtips fold back on themselves. It is recommended to fold the wingtips separately and not at the same time.

Keep the lines taut to stop the wingtips from reopening. Depending on the size of big ears, the sink rate can increase up to 3–4 m/s.

As soon as the lines are released, the paraglider should spontaneously reopen. However, you can speed up the reopening by „pumping“ the brakes. When pumping the brakes it is recommended that one side of the paraglider be opened after the other. Pulling both brakes simultaneously can result in a stall.

Spiral Dive

GAIA 2 is a maneuverable wing that responds to any input easily. To initiate the spiral apply one brake progressively to about 35% and hold it in its position. The speed of rotation will increase progressively as well as the pressure on the brake and the centrifugal force that is experienced.

The angle or the speed of rotation can be decreased or increased by releasing or pulling the brake by several centimeters.

Once mastered, the spiral allows you to descend by more than 10 m/s.

Movements which are extremely abrupt or badly synchronized, or a very quick initiation of the spiral can result in an asymmetrical collapse or a spin.

CAUTION: A deep spiral is a demanding maneuver. The kinetic energy obtained must be reduced by slowly releasing the inside brake and using at least one whole 360 degrees turn to bleed off this energy.

B-line stall

Grasp the B risers at the quick links and gently pull them down symmetrically. The paraglider will drop backwards before entering in a parachutal stall stabilizing overhead. The descent rate increases to 6 - 8 m/s.

In order to release the B-line stall, raise both hands together in a single quick movement. Once you have released the B-risers, GAIA 2 shall, in principle, resume flight immediately. An error of control (slow release) or special meteorological conditions may lead to a prolonged phase of parachuting.

The recovery of the paraglider could be then initiated by using the speed bar. In case there is no speed bar, a short pull (squeeze) on the A risers (4 – 5 cm) will achieve the same result.

Caution: unlike the big ears and the spiral (see above), in a B-line stall the glider is in a stalled state. Therefore, a B-line stall should never be performed close to the ground and in stronger head winds, a negative ground speed may be experienced.

4.6. Performance & Use of Brakes

GAIA 2's best glide is at trim speed (no brakes) – about 37 km/h. The minimum sink rate is achieved by applying approx. 15% of the brakes.

When using more than 30% of the brakes the aerodynamics and the performance of the glider are likely to deteriorate and the effort to maneuver will increase quickly.

In case of extremely high brake pressure there is a great risk of an impending stall, which occurs at a full brake travel (100% of the brakes). In normal flying conditions the optimal position for the brakes, in terms of performance and safety is within the first 30% of the braking range.

4.7. Use of Speed Bar

GAIA 2 is equipped with a speed system. For fitting and positioning the speed bar consult the instructions of the harness manufacturer. Before every take-off check that the

speed bar works freely and that its lines are long enough to ensure that it is not engaged permanently. If the harness is fitted with a front mounted reserve the speed bar lines must pass under the reserve container and the reserve bridle so that it can be deployed easily.

Using the speed bar can increase the maximum speed of the paraglider by up to 30% of the trim speed. However, it does reduce the angle of attack and therefore there is an increased risk of a frontal (or asymmetric) collapse. We therefore do not advise to use the speed bar near the ground or in turbulent air.

4.8. Asymmetric or Frontal (Symmetric)

Collapses

Despite that tests proved the GAIA 2 recovers on its own after collapses, active piloting is recommended in case of an asymmetric or frontal collapse.

Active piloting will reduce the loss of altitude and a change of direction.

In case of a frontal (symmetric) collapse:

- Bring both brakes down symmetrically to speed up the reopening of the paraglider, and then raise your hands back up immediately.

In case of an asymmetric collapse:

- Keep the paraglider flying straight by leaning in the opposite direction of the collapse and simultaneously applying the brake on the opposite side of the collapse.
- Speed up the reopening of the closed side by a single, positive input on the collapsed side.

4.9. Full stall

Certain behaviour or weather conditions can bring about a full stall. This is a serious incident that can be difficult to manage. In the case where the stall occurs at less than 100 m above the ground, it is recommended to use your reserve parachute.

Main Causes of a Full Stall

- A poorly timed or an extensive use of brakes when the air speed of the wing is reduced (e. g. when coming out of a spiral or speeding up after a B-line stall).
- Soaked or heavily drenched leading edge (from rain or a cloud) can result in a stall due to an uneven airflow over the leading edge. This process has been related to high levels of porosity in the glider's cloth.

Whatever the cause, a full stall can be either symmetrical or a spin.

In both cases the pilot has two possible courses of action:

- If the full stall happens above 100 m it is strongly recommended to execute the stall recovery supposing the pilot is familiar with the process of such an action (e.i. a complete execution of the full stall, stabilization of the wing and lifting hands progressively to come back to a normal flight).
- If the full stall happens below 100 m or if the pilot is unfamiliar with the stall recovery, the reserve should be deployed immediately.

4.10. Flying Without Brakes

If a brake line or pulley breaks it is possible to fly the GAIA 2 using the D risers (rear risers). The movements must be well controlled as the deformation of the wing when pulling on the D risers is greater than that produced by using the brakes.

Tip: Practice this way of steering to be prepared in case of a brake failure!

4.11. Comments on the Testing Procedures

All maneuvers were carried out over water in a stable air mass with standard temperature, humidity and pressure. They were carried out by professional pilots trained to react to any problem in the most appropriate manner.

Test reports are available on the website: www.sky-cz.com.

4.12. Adjustment of the harness

For test flights the pilots used ABS harnesses with the following set-up:

Size	Distance from seat board	Distance between hanging points
GAIA 2 S	40-42 cm	39-42 cm
GAIA 2 M	41-43 cm	41-44 cm
GAIA 2 L	42-44 cm	43-46 cm
GAIA 2 XL	43-45 cm	46-49 cm

We recommend adjusting the harness in a very similar way to the test adjustment. Excessive cross-bracing increases the risk of twisting the risers.

A looser setting will result in a tendency to lean towards the collapsed side.

Lower hang points reduce the roll-stability of your harness and can slow down the reopening of asymmetric collapses.

Higher hang points (+ 2-4 cm) have no influence on inflight safety and can therefore be tolerated.

5. MAINTENANCE & CHECKS

5.1. Advice on Maintenance

The life of your paraglider depends largely on the care with which you maintain and use it. To maximize the life span of your wing, respect the following rules:

- Avoid dropping the canopy on its top surface or on its leading edge during inflation or landing.
- Don't drag it across the ground when moving it.
- Don't expose it unnecessarily to sunlight.
- Choose a folding technique that doesn't damage the leading edge strips and that doesn't crease the internal structure excessively. To maximize the life of your glider we do not recommend the use of stuff sacks: the abrasion of the material will decrease the life expectancy of the fabric – in particular its internal structure.
- Always use the protective bag to avoid direct contact with the harnesses and buckles, and unwanted frictions inside the rucksack.
- Never store your paraglider when it is damp. If immersed in sea water, rinse it thoroughly in fresh water. Do not use any detergents.
- Dry your paraglider away from direct light in a dry and well-aired place.
- Empty any foreign bodies from your paraglider regularly, for example sand, stones or animal or vegetable matter which may eventually decay. Twigs, sand, pebbles, etc... damage tissue in successive folds, and organic debris of vegetable or animal origin (insects) can promote mold growth.

5.2. Pre-delivery Control

The paraglider has undergone a series of tests during the production process and consequent flight tests before delivery. It is delivered with the same brake setting as used during certification.

Periodic Checks & Repairs:

For safety reasons it is recommended that the paraglider be checked at least once a year, or after 100 flights and anytime there is a change in its behaviour. The check must be done by the manufacturer or an authorized representative. Before sending the paraglider for an inspection, contact your importer or your dealer. Have your wing additionally checked if you notice damages or a change in flight behaviour.

Fixing small rips

Small rips in the sail up to a length of 4 cm can be repaired with adhesive sail tape. Keep an excess length of 3 cm on both ends of the rip and apply the tape to both sides.

Spare parts

Your SKY wing consists of many high quality long-life components. When replacing parts, (lines, risers, fabric panels, etc.), only original parts may be used. In addition to the continued airworthiness of your paraglider this is important for your safety as well.

5.3. Guarantee

GAIA 2 is guaranteed for two years against any production fault since the date of purchase.

The guarantee does not cover:

- Damage caused by misuse, by neglecting regular maintenance, or if the glider is overloaded or misused.
- Damage caused by inappropriate landings.

6. DISPOSAL

Even the best products have a limited service life, and once your glider reaches this point, it must be disposed of properly. Please make sure your paraglider is disposed of in the correct environmental manner or send it back to Sky Paragliders for correct disposal. In case of any doubts regarding the information in the manual, contact your SKY dealer.

Finally the call to practise our sport with respect for nature and wildlife! Don't walk outside marked routes, don't leave any waste, don't make needless noise and respect the sensitive biological balance in the mountain eco system: especially in the take off area!

If you have any questions regarding the information in this manual, contact your SKY dealer.





GAIA 2

DE

EINFÜHRUNG

Gratuliere zu Ihrer Entscheidung, ein Teil der Sky Family zu werden. Wir freuen uns, Sie zur Welt von Sky begrüßen zu können und hoffen, dass Sie unter ihrem Sky Paragliders Schirm viele schöne Stunden mit fantastischen Flügen genießen werden.

Die Basis von Sky Paragliders liegt im Herzen von Europa und wir sind stolz auf unsere auf dem neuesten Stand der Technik ausgestattete Produktion in der Tschechischen Republik. Management und Entwicklungsteams sitzen nur 25 Stufen oberhalb des Produktionsbetriebes. Dieser enge Kontakt ist für uns unglaublich wichtig und hilft uns dabei, Produkte höchster Qualität mit minimaler Umweltbelastung und minimiertem Verbrauch von Material anbieten zu können.

Inhalt

1. ALLGEMEINE INFORMATIONEN	14		
1.1. Bedienungsanleitung für GAIA 2			
2. PILOTENPROFIL	14		
3. MASSE, DIAGRAMME UND EIGENSCHAFTEN	15		
3.1. Flügelprofil des GAIA 2			
3.2. Leinenschema			
3.3. Technische Daten			
3.4. Schema des Tragegurtes			
4. START, FLUG UND FLUGTECHNIK	16		
4.1. Prüfung des Gleitschirms vor dem Start		4.6. Flugleistung & Einsatz der Bremsen	
4.2. Start		4.7. Verwendung des Beschleunigers	
4.3. Landung		4.8. Asymmetrischer oder frontaler (symmetrischer) Einklapper	
4.4. Kurvenflug		4.9. Strömungsabriss	
4.5. Abstiegshilfen		4.10. Fliegen ohne Bremsen	
		4.11. Kommentare zu den Testverfahren	
		4.12. Gurtzeugeinstellungen	
		5. INSTANDHALTUNGS-CHECKS	19
		5.1. Wartungsempfehlung	
		5.2. Auslieferungsscheck	
		5.3. Garantie	
		6. ENTSORGUNG	19

1. ALLGEMEINE INFORMATIONEN

1.1. Betriebsanleitung für den Gleitschirm

GAIA 2 ist ein Gleitschirm der Kategorie EN A (nach EN 926-2:2013 & EN 926-1:2006 & LTF 91/09) und ist für Piloten, die gerade ihre Ausbildung beendeten, gut geeignet. Nachdem die Eigenschaften des Schirmes der Kategoriebeschreibung entsprechen (Einstieigerlevel EN A) ist der Gleitschirm sicher für Gelegenheitspiloten und Piloten mit beschränkter Flugerfahrung.

- Handbuch Version vom 29. January 2019.
- Verwendungszweck: leichtes Luftsportgerät mit einer Leermasse < 120 kg
- Der GAIA 2 ist in Kategorie A zertifiziert, nachdem er alle Anforderungen der Normen EN 926-2:2013, EN 926-1:2006 und LTF NFL II 91/09 erfüllt.
- Gesamtgewicht Minimum und Maximum: siehe technische Daten.
- Bremsweg bei Maximalgewicht: in Übereinstimmung mit EN 926-2:2013.
- Umweltschutz: Gleitschirmfliegen ist eine Sportart, die in der Natur ausgeübt wird. Achten Sie bei Start, Flug und Landung auf naturschonendes Verhalten und vermeiden Sie unnötigen Lärm. Dazu gehört auch eine umweltgerechte Entsorgung Ihres Schirmes, wenn dieser das Ende seiner Lebensdauer erreicht hat. Sie können Ihren SKY-Schirm dazu auch direkt an das Werk in Frydlant schicken.
- Dieses Handbuch entspricht den Anforderungen der Normen EN 926:2013 sowie LTF NFL II 91/09 für Betriebsanleitungen.

Bitte beachten Sie, dass alle Änderungen am Gleitschirm die Musterprüfung ungültig machen. Der korrekte Umgang mit dem Gleitschirm liegt in der Verantwortung des Piloten.

Der Hersteller und der Handler übernehmen keine Haftung. Der Pilot ist verantwortlich für die Lufttüchtigkeit des Luftfahrzeugs. Der Pilot muss die gesetzlichen Vorschriften im Land des Fluges einhalten.

Name und Adresse des Herstellers:

Sky Paragliders a.s.

Okružní 39 739 11 Frydlant nad Ostravici,
Tschechische Republik
info@sky-cz.com
www.sky-cz.com

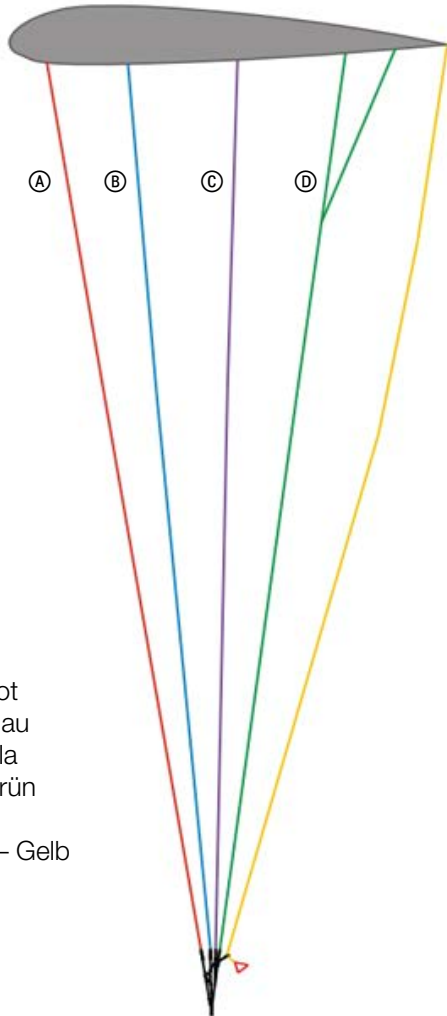
2. PILOTENPROFIL

Der GAIA 2 ist ein einsitziger Gleitschirm mit hoher passiven Sicherheit und verträgt Fehler in seiner Bedienung. Der GAIA 2 ist für Anfänger gut geeignet, bietet jedoch auch sehr brauchbare Leistung und ansprechendes Handling für Piloten mit mehr Erfahrung, die häufig mit Schirmen der unteren B-Kategorie fliegen.



3. MASSE, DIAGRAMME UND EIGENSCHAFTEN

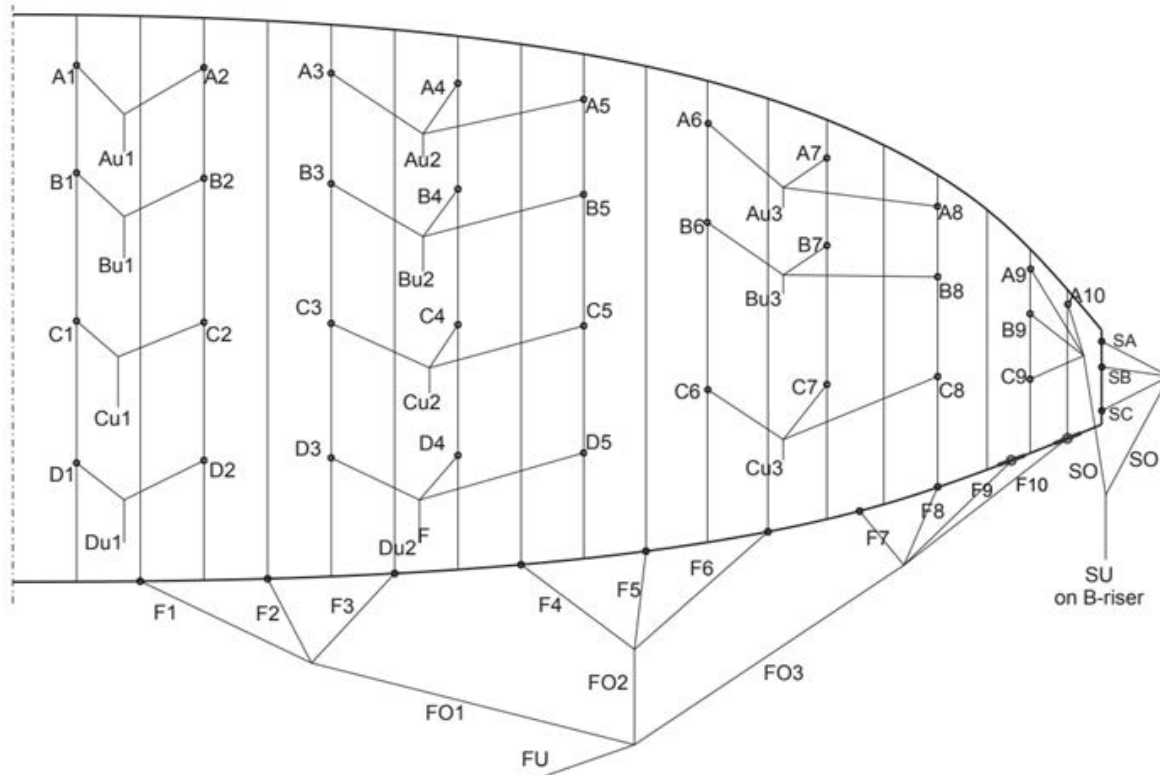
3.1. Flügelprofil des GAIA 2



A-Leinen – Rot
 B-Leinen – Blau
 C-Leinen – Lila
 D-Leinen – Grün

Bremsleinen – Gelb

3.2. Leinenschema



3.3. Technische Daten

GAIA 2	S	M	L	XL
Schirmfläche (m ²)	23,30	25,20	27,13	29,34
Flügelspannweite (m)	10,49	10,91	11,32	11,77
Streckung	4,72	4,72	4,72	4,72
Fläche projiziert (m ²)	20,68	22,37	24,08	26,05
Spannweite projiziert (m)	8,32	8,65	8,98	9,33
Streckung projiziert	3,35	3,35	3,35	3,35
Anzahl Zellen	38	38	38	38
Gewicht (kg)	4,20	4,45	4,75	5,10
Startgewicht (kg)	58-82	73-97	88-112	102-130
Maximaler symmetrischer Steuerweg bei maximalem Abfluggewicht	see the certification protocols			
Zertification EN/LTF	A	A	A	A

3.4. Schema des Tragegurtes



Grundeinstellung	S, M	L, XL
A, A'	47 cm	50 cm
B	47 cm	50 cm
C	47 cm	50 cm
D	47 cm	50 cm
Beschleunigt	S, M	L, XL
A, A'	32 cm	33,5 cm
B	33,5 cm	36,5 cm
C	40 cm	43 cm
D	47 cm	50 cm
Länge des Speedsystems	15 cm	16,5 cm

Tolerance: +/- 5 mm

Nastavitelné, odnímatelné or variabilní zařízení: žádná.
Volné konce nemají trimy.

4. START, FLUG UND FLUGTECHNIK

Grundsätzlich kann der GAIA 2 konventionell geflogen werden, aber es gibt mehrere nachfolgend aufgeführten Punkte, die Ihnen erlauben, sich mit einem neuen Gleitschirm schneller vertraut zu machen.

4.1. Prüfung des Gleitschirms vor dem Start

- Prüfen Sie das Segel auf Schäden an Oberfläche, interner Struktur (Rippen, Diagonalen) und Nähten.
- Stellen Sie sicher, dass die Leinen nicht beschädigt oder verheddert sind.
- Überprüfen Sie die Schraubkarabiner, welche Leinen und Tragegurte verbinden, auf Schäden und korrekte Verschraubung.
- Stellen Sie sicher, dass die Tragegurte nicht beschädigt oder verdreht sind.
- Überprüfen Sie die Bremsgriffe auf korrekte Anbringung und die Bremsleinen auf hindernisfreien Verlauf durch ihre Umlenkrollen.

4.2. Start

Legen Sie den Schirm mit der Vorderkante in Form eines Hufeisens aus. Halten Sie die A-Leinen in der Nähe der Schraubglieder und gehen Sie vorwärts, bis die Leinen leicht gespannt sind. Sie sollten nun perfekt mit Ihrem Flügel zentriert sein. Bei Nullwind oder leichtem Gegenwind machen Sie mit gespannten Leinen einige flotte Schritte. Der GAIA 2 wird sich rasch füllen und über Ihren Kopf steigen. Ziehen Sie die Tragegurte weder zu hart nach vorne, noch nach unten, da dies ein Einfallen der Einströmkante zur Folge haben könnte. Folgen Sie den Tragegurten mit den Armen nach oben, bis der Schirm den korrekten Startwinkel erreicht hat. Dabei ist es wichtig, dass der Schwerpunkt Ihres Körpers während der Aufziehphase

vor Ihren Füßen liegt und ein gleichmäßiger Zug an den Gurten gewährleistet ist. Ein kontrollierter Aufziehvorgang vermeidet übermäßigen Einsatz der Bremsen und erlaubt Ihnen eine visuelle Kontrolle von Schirm und Leinen vor dem Beschleunigen auf die Startgeschwindigkeit.

4.3. Landung

Aufgrund der außergewöhnlichen Gleitleistung ist äußerste Vorsicht bei Landeanflug und Landung empfohlen. Der GAIA 2 ist ein extrem agiler und sensibler Schirm. Jeder Einsatz der Bremsen kann eine signifikante Reaktion der Schirmkappe hervorrufen. Wir empfehlen deshalb für die ersten Flüge ein Ihnen bekanntes Fluggebiet mit großem Startplatz und leicht durchschaubaren meteorologischen Bedingungen. Negatives Steuern gibt mehr Zeit für präzise ausgeführte Manöver, die in geringeren Pendelausschlägen der Kappe resultieren.

Zur Erinnerung: Negatives Steuern bedeutet, die Bremsen symmetrisch um etwa 30% des gesamten Steuerweges zu ziehen und eine Kurve durch Nachlassen der Außenbremse einzuleiten. Ein Beschleunigen unmittelbar vor der Landung ermöglicht

4.4. Kurvenflug

Der GAIA 2 wurde für effizienten Kurvenflug entwickelt und zentriert Thermik auch ohne aktive Gewichtsverlagerung.

Negatives Steuern (siehe oben) bremst den Gleitschirm in bestimmten Phasen des Fluges und reduziert übermäßiges Rollen während Kurvenwechseln. Ihr Schirm wurde nicht nur für raschen Kurvenflug (mit ca. 30 % Bremse), sondern auch für den langsamen Flug entwickelt, welcher das Auffinden von Thermik und das Flachhalten der Kappe für eine geringe Sinkrate (mit 15 % Bremse) erleichtert.

Symmetrische Betätigung beider Bremsen um 20-30 % ermöglicht die Kontrolle des Schirms – um bei Vorschießen stärker zu bremsen oder beim Zurückfallen die Bremsen zu lösen.

4.5. Abstiegshilfen

Als generelle Empfehlung fliegen Sie für Abstiegsmanöver aus Bereichen mit steigenden Luftmassen. Sollten Sie – warum auch immer – von der Entwicklung der Flugbedingungen überrascht werden, so können Sie folgende Techniken zur Vergrößerung Ihrer Sinkrate anwenden.

Ohren anlegen

Ziehen Sie die äußerste A-Leine, bis sich der Stabilo unter die Einströmkante faltet. Wir empfehlen, die Ohren nach einander und nicht gleichzeitig anzulegen. Halten Sie die Leinen auf Zug, um die „Ohren“ bis zum Ende des Manövers vom Öffnen abzuhalten. Abhängig von der Zugtiefe kann eine Sinkrate von 3-4 m/s erreicht werden.

Mit dem Freigeben der Leinen sollte der Gleitschirm spontan wieder öffnen. Der Prozess kann durch Pumpen der Bremsen in einer einzigen Bewegung beschleunigt werden. Beim Pumpen der Bremsen wird empfohlen, eine Seite des Schirmes nach der anderen zu öffnen. Das gleichzeitige Ziehen beider Bremsen kann zu einem Strömungsabriss führen.

Steilspirale

Der GAIA 2 ist ein wendiger Flügel, der auf Input seines Piloten präzise und progressiv reagiert. Zur Einleitung einer Spirale ziehen Sie eine Bremsleine progressiv auf etwa 35 Prozent und halten Sie sie in dieser Position. Drehgeschwindigkeit und Bremsdruck sowie die vom Piloten gespürte Zentrifugalkraft werden progressiv zunehmen. Winkel und Geschwindigkeit der Rotation können durch Nachlassen oder tieferes Ziehen der Bremse um einige Zentimeter dosiert werden.

Einmal beherrscht, erlaubt die Steilspirale Ihnen Abstiegsraten von mehr als 10 m/s. Sehr abrupte oder schlecht synchronisierte Bremsbetätigung oder eine zu schnelle Einleitung der Spirale können in einseitigen Einklappen oder Trudeln enden.

ACHTUNG: Eine Steilspirale ist ein radikales Manöver. Die aufgebaute kinetische Energie muss durch langsames Lösen der Innenbremse über mehrere Kreise abgebaut werden

B-Stall

Fassen Sie die B-Tragegurte unter den Schraubgliedern und ziehen Sie sie symmetrisch nach unten. Der Gleitschirm wird in einen B-Stall gehen und leicht nach hinten fallen, bevor er sich über Ihrem Kopf stabilisiert. Die Sinkrate steigt auf 6-8 m/s.

Zur Ausleitung des B-Stalls heben Sie beide Hände in einer einzigen fließenden Bewegung, bis die Tragegurte wieder voll gestreckt sind. Dadurch sollte der KUDOS sofort wieder in den Normalflug zurückkehren. Bedienungsfehler und spezielle aerologische Bedingungen können die Stallphase verlängern.

Ein kurzer Tritt auf den Fußbeschleuniger sollte für eine sofortige Beendigung des B-Stalls führen. Sollte der Beschleuniger nicht verbunden sein, so zeigt ein Ziehen der A-Gurte um 4-5 cm das gleiche Resultat.

ACHTUNG: Anders als beim Ohren Anlegen oder der Steilspirale befindet sich der Schirm beim B-Stall in einem echten Strömungsabriss. Aus diesem Grund sollte der B-Stall nie knapp über dem Boden ausgeführt werden.

4.6. Flugleistung & Einsatz der Bremsen

Das beste Gleiten des GAIA 2 findet sich bei Trimmgeschwindigkeit (keine Bremsen) - ca. 38 km / h. Die minimale Sinkgeschwindigkeit wird durch Betätigen der

Bremsen um ca. 15 % erreicht. Bei Verwendung von mehr als 30% der Bremsen verschlechtern sich Aerodynamik und Leistung des Gleitschirms und die Bremskräfte steigen rasch an.

Extrem hoher Bremsdruck ist die letzte Warnung vor einem drohenden Strömungsabriss, der bei einer Vollbremsung (100% Bremsen) auftritt. In normalen Flugbedingungen befindet sich die optimale Position für die Bremsen in Bezug auf Leistung und Sicherheit innerhalb der ersten 30 Prozent des Bremsweges.

4.7. Verwendung des Beschleunigers

Ihr GAIA 2 ist mit einem Beschleuniger bzw. Speedsystem ausgestattet. Für die Montage und Positionierung des Speedsystems halten Sie sich an die Anweisungen Ihres Gurtzeug-Herstellers. Kontrollieren Sie vor jedem Start den Beschleuniger auf freien Verlauf und ausreichende Länge, um eine unabsichtliche Betätigung im Flug zu vermeiden.

Bei Verwendung eines Rettungsschirms mit Frontcontainer müssen die Leinen des Speedsystems unterhalb von Container und Retterleinen verlaufen um eine korrekte Auslösung des Rettungsschirms zu ermöglichen. Der Einsatz des Beschleunigers erhöht die Maximalgeschwindigkeit des Schirms gegenüber Trimmspeed um bis zu 30 Prozent. Dabei reduziert sich der Anstellwinkel, womit sich das Risiko eines Front- oder Seitenklappers erhöht. Aus diesem Grund raten wir vom Einsatz des Speedsystems in Bodennähe oder turbulenter Luft ab.

4.8. Asymmetrischer oder frontaler (symmetrischer) Einklapper

Obwohl Tests eine spontane Wiederöffnung des GAIA 2 nach Klappern gezeigt haben empfiehlt sich im Falle von asymmetrischen oder frontalen Einklappern aktiver Piloteneingriff. Dieser vermindert den Höhenverlust sowie das Abdrehen aus der ursprünglichen Flugrichtung.

Im Fall eines frontalen (symmetrischen) Einklappers:

- Ziehen Sie beide Bremsleinen symmetrisch nach unten, um die Öffnung der Eintrittskante zu beschleunigen. Heben Sie danach die Hände sofort wieder in normale Flugposition.
- Im Fall eines asymmetrischen Einklappers:
- Halten Sie die Flugrichtung, indem Sie sich im Gurtzeug von der geklappten Seite weg lehnen und soviel Bremse wie nötig einsetzen.
- Beschleunigen Sie die Öffnung der geklappten Seite durch einen einzelnen zügigen Zug der Bremsen auf der geklappten Seite.

4.9. Strömungsabriss

Bestimmte Verhaltensweisen oder Wetterbedingungen können zu einem Strömungsabriss führen. Dies ist eine gravierende Abweichung vom Normalflug und kann schwer zu handhaben sein. Tritt ein Strömungsabriss in weniger als 100 m über Grund auf ist sofort der Rettungsschirm zu werfen.

Hauptursachen eines Strömungsabrisse:

- Schlecht getimter oder exzessiver Einsatz der Bremsen, während die Fluggeschwindigkeit des Flügels reduziert ist (z. B. Beim Ausleiten einer Spirale oder während der Beschleunigung nach einem B-Stall).
- Vollgesogene oder stark durchnässte Eintrittskante (von Regen oder einer Wolke) können aufgrund einer ungleichmäßigen Luftströmung über der Vorderkante zu einem Strömungsabriss führen. Bekannte Fälle dieses Phänomens sind mit hoher Porosität des Schirmtuches verbunden. Unabhängig von der Ursache kann eine Fullstalls entweder symmetrisch oder einseitig sein (Trudeln).

In beiden Fällen hat der Pilot zwei Reaktionsmöglichkeiten:

- Passiert der Strömungsabriss in mehr als 100 m Höhe über Grund empfehlen wir die Standardausleitung, sofern der Pilot mit diesem Prozess vertraut ist (also vollständige Ausführung eines Full Stall, Stabilisierung des Schirms und Lösen der Bremsen für die Rückkehr in den Normalflug).
- Geschieht der Strömungsabriss in weniger als 100 m über Grund oder der Pilot ist mit dem Verfahren der Stall-Ausleitung nicht vertraut, ist sofort der Notschirm zu werfen.

4.10. Fliegen ohne Bremsen

Bei Bruch einer Bremsleine oder Umlenkrolle ist es möglich, den GAIA 2 unter Verwendung des D Tragegurtes (hinterste Tragegurte) zu fliegen. Die Bewegungen müssen fein dosiert werden, da die Deformation der Schirmkappe stärker als bei herkömmlichem Bremseinsatz ausfällt. werden, da die Deformation der Schirmkappe stärker als bei herkömmlichem

Bremseinsatz ausfällt.

Tipp: Üben Sie diese Art der Steuerung, um im Falle eines Ausfalls der Bremse vorbereitet zu sein!

4.11. Kommentare zu den Testverfahren

Alle Manöver wurden über Wasser in einer stabilen Luftmasse mit Standard-Temperatur, Feuchtigkeit und Luftdruck durchgeführt. Sie wurden von professionellen Piloten ausgeführt, die darauf trainiert sind, auf jedes Problem in passender Weise zu reagieren. Testberichte sind auf der Website verfügbar: www.sky-cz.com.

4.12. Gurtzeugeinstellungen

Für die Testflüge verwendeten die Piloten ABS-Gurtzeuge mit folgender Einstellung:

Größe	Distanz Karabiner- Sitzbrett	Entfernung zwischen Einhängenpunkten (Karabinern)
GAIA 2 S	40-42 cm	39-42 cm
GAIA 2 M	41-43 cm	41-44 cm
GAIA 2 L	42-44 cm	43-46 cm
GAIA 2 XL	43-45 cm	46-49 cm

Wir empfehlen die Verwendung eines Gurtzeuges mit Einstellungen, die möglichst nahe an jenen liegen, die während der Flugtests verwendet wurden. Übermäßige Querverstrebung (Brustgurt sehr eng) erhöht das Risiko verdrehter Tragegurte während bestimmter Manöver. Eine lockerere Einstellung kann eine Tendenz zur Folge haben, in Richtung der geklappten Seite zu fallen. Tiefere Aufhängepunkte reduzieren die Rollstabilität des Gurtzeugs und können die Wiedereröffnung nach asymmetrischen Klappern verlangsamen. Höhere Aufhängepunkte (+ 2-4 cm) haben keinen Einfluss auf die Flugsicherheit und können daher toleriert werden.

5. INSTANDHALTUNGS-CHECKS

5.1. Wartungsempfehlung

Die Lebensdauer Ihres Gleitschirms hängt stark von der Sorgfalt, mit der Sie ihn pflegen und nutzen. Für eine maximale Lebensdauer Ihres Schirmes befolgen Sie die folgenden Regeln:

- Vermeiden Sie das Fallenlassen der Kappe auf ihre Oberseite oder Vorderkante bei Start oder Landung.
- Schleifen Sie den Schirm nicht über den Boden.
- Setzen sie die Schirmkappe nicht unnötig dem Sonnenlicht aus.
- Wählen Sie ein Faltechnik, welche die Eintrittskante nicht beschädigt und die internen Strukturen nicht unnötig zerknittert. Um die Lebensdauer Ihres Gleitschirms zu maximieren empfehlen wir die Verwendung von Schnellpacksäcken ausdrücklich nicht: Der Abrieb des Materials kann die Lebenserwartung des Gewebes verringern - insbesondere seine innere Struktur.
- Verwenden Sie immer den Innenpacksack, um direkten Kontakt mit Gurtzeug und Schnallen sowie ungewollte Reibung im Rucksack zu vermeiden.
- Packen Sie nie Ihren Gleitschirm feucht weg. Sollte der Schirm in Meerwasser eingetaucht worden sein, spülen Sie ihn gründlich in Süßwasser. Verwenden Sie keine Reinigungsmittel.
- Wenn Sie meist am Meer fliegen, wo die Luft ist feucht und salzig ist, kann Ihr Schirm schneller altern. In diesem Fall empfehlen wir Ihnen, Ihren Schirm häufiger als in dieser Anleitung empfohlen überprüfen zu lassen.
- Trocknen Sie Ihren Gleitschirm geschützt vor direkter Sonneneinstrahlung in einer trockenen und gut belüfteten Umgebung.
- Entfernen Sie regelmäßig Fremdkörper aus Ihrem Gleitschirm (z. B. Sand, Steine, tierische/pflanzliche Materie die schließlich verwest). Zweige, Sand, Kies, etc. können das

Gewebe auch in aufeinanderfolgenden Falten schädigen und organische Ablagerungen pflanzlichen oder tierischen Ursprungs (Insekten) können die Schimmelbildung fördern.

5.2. Auslieferungsscheck

Der Gleitschirm hat eine Reihe von Tests während des Produktionsprozesses und Flugtests vor der Auslieferung durchlaufen. Er wird mit der gleichen Bremseinstellung geliefert, die während der Zertifizierung verwendet wurde.

Regelmäßige Checks & Reparaturen:

Periodische Kontrollen und Reparaturen: Aus Sicherheitsgründen wird empfohlen, den Gleitschirm mindestens einmal im Jahr oder nach 100 Flügen (je nachdem, was früher eintritt) sowie bei jeder Veränderung des Flugverhaltens überprüfen zu lassen. Diese Überprüfung muss durch den Hersteller oder einen autorisierten Betrieb erfolgen. Kontaktieren Sie vor der Einsendung des Schirms zum Check Ihren Händler oder Importeur. **Achtung:** Lassen Sie Ihren Schirm zusätzlich prüfen, wenn Sie Schäden oder eine Änderung der Flugverhalten bemerken 3) Garantieren.

Ersatzteile

Ihr SKY Schirm besteht aus vielen hochqualitativen Komponenten mit langer Lebenszeit. Für den Ersatz von Teilen (Leinen, Tragegurte, Tuchbahnen etc.) dürfen nur Originalteile verwendet werden. Dies ist nicht nur für die Flugtüchtigkeit des Schirms, sondern auch für Ihre persönliche Sicherheit wichtig.

5.3. Garantie

Ihr GAIA 2 unterliegt für zwei Jahre einer Garantie gegen Produktionsfehler, beginnend mit dem Zeitpunkt des Kaufs. Die Garantie erstreckt sich nicht auf:

Záruka se nevztahuje na:

- Schäden aufgrund von Missbrauch, Vernachlässigung der regelmäßigen Wartung oder Überladung.
- Schäden durch unsachgemäße Landungen.

6. ENTSORGUNG

Auch das beste Produkt hat eine begrenzte Nutzungsdauer und sobald Ihr Schirm diesen Punkt erreicht sollte er richtig entsorgt werden. Stellen Sie bitte sicher, dass Ihr Schirm umweltgerecht entsorgt wird oder senden Sie ihn zur Entsorgung zurück an Sky Paragliders.

Es ist eigentlich selbstverständlich, aber soll hier trotzdem nochmals ausdrücklich erwähnt werden: Bitte unseren naturnahen Sport so betreiben, dass Natur und Landschaft geschont werden! Bitte nicht abseits der markierten Wege gehen, keinen Müll hinterlassen, nicht unnötig lärmern und die sensiblen Gleichgewichte im Gebirge respektieren. Speziell am Startplatz ist unsere Rücksicht auf die Natur gefordert!

Bei Zweifeln an Informationen aus diesem Handbuch kontaktieren Sie ihren Sky-Händler.





GAIA 2

CZ

ÚVODEM

Děkujeme, že jste se rozhodli pro koupi kluzáku z dílny Sky Paragliders. Těší nás, že jste vstoupili do světa našich výrobků a věříme, že vám naše kluzáky poskytnou spousty jedinečných zážitků.

Sky Paragliders sídlí, vyvíjí a vyrábí v České republice ve vlastních prostorách speciálně navržených pro paraglidingovou výrobu. Technologické a vývojové oddělení dělí přesně 19 schodů od výrobních prostor. Díky tomu můžeme udržet vysokou kvalitu výrobního procesu a postarat se o to, aby všechny naše nápady byly s výrobou úzce propojeny a výrobky před tím, než se dostanou k Vám, našim zákazníkům, nenacestovaly tisíce mil.



Obsah

1. VŠEOBECNÉ INFORMACE	22		
1.1. Návod k obsluze pro GAIA 2 S, M, L, XL			
2. PROFIL PILOTA	22		
3. ROZMĚRY, NÁKRESY A DALŠÍ TECHNICKÉ ÚDAJE	23		
3.1. Půdorys kluzáku GAIA 2			
3.2. Schéma vyvážení			
3.3. Technická data			
3.4. Schéma volných konců			
4. START, LET A TECHNIKA PILOTÁŽE	24		
4.1. Kontrola kluzáku před startem			
4.2. Start			
4.3. Přistání			
4.4. Zatáčení			
4.5. Vyklesávací techniky			
4.6. Výkon a zásahy do řízení			
4.7. Použití speed systému			
4.8. Asymetrické nebo čelní (symetrické)zaklopení			
4.9. Full stall (Symetrické přetažení)			
4.10. Let bez možnosti použít brzdy (řízení)			
4.11. Poznámky k testování a certifikačním letům			
4.12. Nastavení sedačky			
5. ÚDRŽBA A KONTROLY	27		
5.1. Poznámky k údržbě			
5.2. Prohlídky			
5.3. Záruka			
6. LIKVIDACE	27		

1. VŠEOBECNÉ INFORMACE

1.1. Uživatelská příručka ke kluzáku GAIA 2 S, M, L, XL

GAIA 2 je padákový kluzák kategorie EN A (dle norem EN 926-2:2013& EN 926-1:2015<F 91/09) a je vhodný pro piloty, kteří právě dokončili základní výcvik. Kluzák svým výkonnostním profilem odpovídá požadavkům na křídlo kategorie A a je tudíž vhodný i pro příležitostné piloty a nepravidelně létající piloty s nízkým náletem.

- GAIA 2 je certifikován v kategorii A, při testech byly splněny všechny požadavky normy EN 926-2:2013, EN 926-1:2015 and LTF NFL II 91/09
- Minimální a maximální vzletová váha: viz. technická data.
- Požadavky na rozsah účinnosti řízení dle normy EN 926-2/2013.
- Tato uživatelská příručka vešla v platnost dne 19. listopadu 2018
- Tato příručka odpovídá požadavkům normy EN 926-2:2013 a LTF NFL II 91/09 pro manuály.

Upozorňujeme, že všechny zásahy do konstrukce kluzáku anulují certifikaci. Pilot je odpovědný za správné používání padákového kluzáku. Výrobce ani prodejce za něj nenesou žádnou odpovědnost. Pilot je odpovědný za letovou způsobilost kluzáku a musí jednat v souladu s platnými právními předpisy v dané zemi.

Název a adresa výrobce:

Sky Paragliders a.s.

Okružní 39 739 11 Frýdlant nad Ostravicí, Česká republika
info@sky-cz.com
www.sky-cz.com

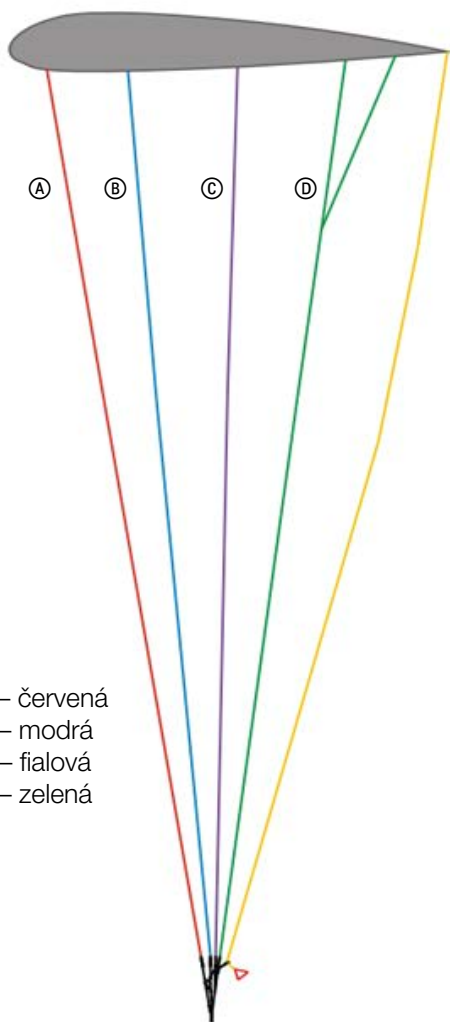
2. PROFIL PILOTA

GAIA 2 je kluzák s odpovídající mírou pasivní bezpečnosti a toleruje i chybné zásahy do řízení. GAIA 2 je vhodný i pro začínající piloty, nabízí ale i dostatečný výkon pro zkušené piloty, kteří létají na kluzácích kategorie B (low level B).



3. ROZMĚRY, NÁKRESY A DALŠÍ TECHNICKÉ ÚDAJE

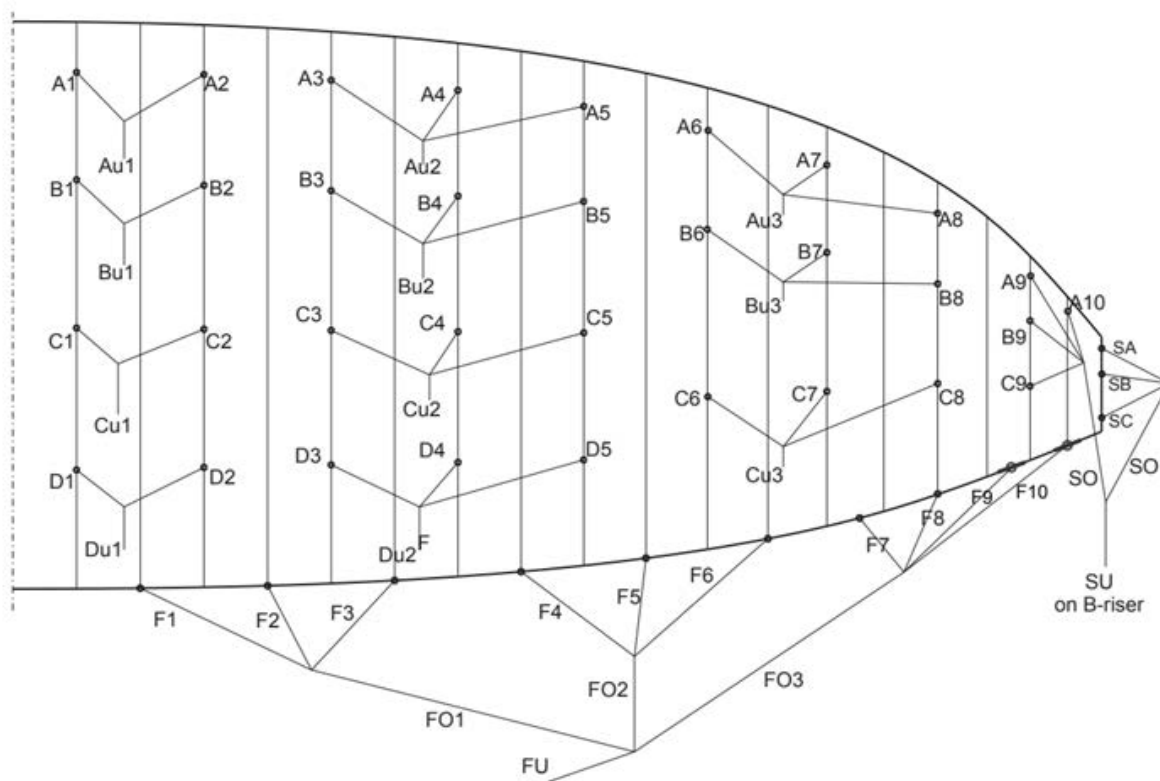
3.1. Půdorys GAIA 2



Řada šňůr A – červená
Řada šňůr B – modrá
Řada šňůr C – fialová
Řada šňůr D – zelená

Brzdy – žlutá

3.2. Schéma vyvázání



3.3. Technická data

GAIA 2	S	M	L	XL
Plocha (m²)	23,30	25,20	27,13	29,34
Rozpětí (m)	10,49	10,91	11,32	11,77
Štíhlost	4,72	4,72	4,72	4,72
Projekční plocha (m²)	20,68	22,37	24,08	26,05
Projekční rozpětí (m)	8,32	8,65	8,98	9,33
Projekční štíhlost	3,35	3,35	3,35	3,35
Počet komor	38	38	38	38
Hmotnost padáku (kg)	4,20	4,45	4,75	5,10
Vzletová váha (kg)	58-82	73-97	88-112	102-130
Maximální dráha řízení při maximálním zatížení kluzáku (cm)	Viz. certifikační protokol.			
Certifikace EN/LTF	A	A	A	A

3.4. Schéma volných konců



Délka volných konců bez použití speed systému	S, M	L, XL
A, A'	47 cm	50 cm
B	47 cm	50 cm
C	47 cm	50 cm
D	47 cm	50 cm

Délka volných konců s použitím speed systému	S, M	L, XL
A, A'	32 cm	33,5 cm
B	33,5 cm	36,5 cm
C	40 cm	43 cm
D	47 cm	50 cm

Délka chodu speed systému	15 cm	16,5 cm
----------------------------------	-------	---------

Tolerance: +/- 5 mm

Nastavitelné, odnímatelné or variabilní zařízení: žádná.
Volné konce nemají trimy.

4. START, LET A TECHNIKA PILOTÁŽE

Kluzák GAIA 2 létá zcela standardně. Přesto si dovoluujeme upozornit na několik bodů, které Vám umožní seznámit se s kluzákem rychleji.

4.1. Kontrola kluzáku před startem

- Zkontrolujte, zda není vrchlík natržen a vnitřní stavba (profily, diagonály) a švy poškozeny.
- Zkontrolujte, zda nejsou šňůry poškozeny nebo zamotány.
- Zkontrolujte, zda nejsou karabinky u volných konců poškozeny a jsou řádně utaženy a zajištěny.
- Zkontrolujte, zda nejsou poškozené nebo zamotané volné konce.
- Zkontrolujte, zda je funkční speed systém a zda jsou spojovací šňůry dostatečně dlouhé, aby se zamezilo tomu, že bude speed systém zkracovat přední popruhy.
- Nakonec zkontrolujte šňůry od řídiček, zda je každá řídička řádně připevněna a zda každá šňůra vede přes kladku na správné straně volného konce.

4.2. Start

Rozložte vrchlík tak, aby jeho náběžná hrana opisovala tvar podkovy. Uchopte řadu A volných konců co nejbližší spojovacím karabinkám a šňůry mírně napněte. Postavte se přesně proti střední komoře křídla. Za bezvětří nebo mírného protivětru stačí několik dynamických kroků, kterými napnete šňůry a GAIA 2 bude rychle a plynule stoupat nahoru. Při startu je potřeba stále udržovat ruce s karabinami správně orientované k pozici těla, pokud budou zůstat příliš vzadu, nebo příliš vpředu, nebude start proveden čistě. Je důležité, aby těžiště těla zůstávalo mírně před nohama; pomůže vám to udržovat volné konce pod stálým tlakem. Pokud vrchlík při stoupání nad hlavu stále korigujete,

máte možnost jej snadno zkontrolovat a vyhnete se brzdění ve chvíli, kdy budete mít vrchlík přesně nad hlavou. V závislosti na sklonu startovací plochy, nebo povětrnostních podmínkách lze přiměřeným zásahem do řízení start urychlit.

Vlekání

GAIA 2 je možno startovat i vlekáním. Pilot zodpovídá za to, že používá vhodnou sedačku, nástavec a uvolňovací mechanismus. Pilot i navigákař by měli být k vlekání kvalifikováni. Při vlekání se musí pilot ujistit, že je vrchlík plně nad jeho hlavou. V každém případě maximální tažná síla musí odpovídat váze pilota.

4.3. Přistání

Vzhledem k tomu, že GAIA 2 je kluzák s výjimečným poměrem klouzání, je nutno s touto skutečností počítat již při přiblížení na přistání. GAIA 2 je agilní kluzák, prudké zásahy do řízení vyvolají adekvátní odezvy. Doporučujeme proto provádět první lety za mírných podmínek a v terénu, který dobře znáte.

Při letu v režimu opačného gardu řízení (uvolňování přibrzděné strany) budete mít více času provést všechny přiblížovací manévry a v klidu se vyhnete případnému kyvadlovému pohybu vrchlíku způsobenému razantními zásahy do řízení.

Poznámka: Opačný gard znamená, že letíte na padáku, který brzdíte asi na 30% celkového rozsahu řízení a zatáčíte tak, že uvolňujete řízení na venkovní straně zatáčení. Pokud těsně před přistáním padák zrychlíte, docílíte efektivního podrovnání a přistanete velmi jemně.

4.4. Zatáčení

GAIA 2 byla navržena pro maximální výkon v zatáčení a v ustředování stoupání i bez tzv. aktivní pilotáže. Při použití opačného gardu řízení (při mírném brzdění jednu stranu uvolňujete) maximalizujete účinky točení. Padák sám zatáčí při použití asi 30% z celkového rozsahu řízení. Při létání ve stoupání je možno jej efektivně zpomalit a vystředit tak ve stoupání s co největší plochou vrchlíku (točení naplocho) při použití asi 15% celkového rozsahu řízení. Symetrické brzdění

na úrovni 20-30% umožňuje udržovat křídlo pod kontrolou – při předstřelování můžete dále zabrzdit a náklony je rovněž možno korigovat řídičkami.

4.5. Vyklesávací techniky

Aby bylo možné vyklesat, musíte odletět mimo stoupavé proudy. V případě jakýchkoliv problémů je možno použít techniky pro rychlé vytracení výšky.

Velké uši (symetrické zaklopení stabilizátorů)

Uchopte vnější šňůry řady A a stáhněte je dolů, dokud nedojde k zaklopení stabilizátorů. Jednou z možností je, že budete zaklápět každou stranu zvlášť. Šňůry zaklopených stabilizátorů držte v rukou, jinak dojde k znovuotevření stabilizátorů. V závislosti na velikosti zaklopení dosáhnete opadání 3-4 m/s. Jakmile jsou A šňůry uvolněny, vrchlík se spontánně otevře. Nicméně, znovuotevření můžete urychlit pomocí dynamického „zapumpování“ řídicími šňůrami. Při pumpování pomocí řídiček dávejte pozor, abyste padák nepřetáhli (symetrické přetažení). Můžete tomu předejít tím, že se naučíte vypouštět každou stranu zvlášť. Symetrické pumpování oběma řídičkami zároveň může mít za následek uvedení kluzáku do režimu přetažení.

Spirála

GAIA 2 je obratné křídlo, které rychle reaguje na jakékoliv podněty. Chcete-li padák uvést do spirály, postupně stahujte řízení, až na asi 35 % z celkového rozsahu řízení a v této poloze řídičku nechejte. Rychlost otáčení se postupně zvyšuje, stejně jako tlak ve stažené řídičce a zvyšuje se odstředivá síla. Úhel natočení křídla, nebo rychlost klesání můžete upravit tím, že povolíte, nebo přitáhnete řídičku o několik centimetrů. Pokud manévr zvládnete, můžete jej využít pro klesání více než 10 m/s. Špatně synchronizované nebo nepřiměřené zásahy do řízení při uvádění do spirály do řízení mohou vyústit v asymetrické zaklopení nebo i negativní zatáčku.

UPOZORNĚNÍ: strmá spirála je náročný manévr. Kinetická energie ve spirále musí být kompenzována. Pomalu uvolňujte vnitřní rukojeť řízení a využijte nejméně jednu otočku 360° k vytracení této energie.

B-line stall (Stažení B řady volných konců)

Uchopte popruhy B v oblasti maillonek (malé karabinky) a jemně a symetricky je stahujte níže. Před vlastní stabilizací v B stallu kluzák mírně uskočí pilotovi za hlavu a teprve poté dojde k jeho stabilizaci. Klesání dosahuje hodnot 6-8 m/s.

Režim ukončíte tak, že vypustíte popruhy rychlým a plynulým pohybem. Poté, co jste vypustili řadu B, GAIA 2 bude pokračovat v letu. Pomalé vypuštění nebo neobvyklé meteorologické podmínky mohou způsobit to, že se kluzák dostane do padákového klesání (parachutal effect). V tomto případě sešlápněte speed systém a padák se opět rozjede do normálního letu. V případě, že nemáte speed bar připevněný, pak můžete asi o 4-5 cm zkrátit volné konce. Výsledek bude stejný.

UPOZORNĚNÍ: Na rozdíl od velkých uší a spirály (viz výše), v režimu B-stall je kluzák v neletovém režimu (kluzák je přetažený). Proto je vhodné B stall neprovádět blízko země a za silného protivětru, může dojít k zafouknutí.

4.6. Výkon a zásahy do řízení

Nejlepšího poměru klouzání dosahuje kluzák GAIA 2 při vypuštěném řízení (trim speed) – asi 37 km/h. Minimálního opadání je dosaženo použitím cca. 15% z celkového rozsahu řízení. Pokud použijete více než 30% rozsahu řízení, dojde ke zhoršení aerodynamických vlastností a úměrně tomu vzroste síla v řízení.

V případě, že dochází k nárůstu tlaku v řízení, hrozí riziko, že při 100% stažení řízení dojde k propadavému letu (impeding stall). Za normálních letových podmínek je ideální využívat řízení jenom do 30% rozsahu řízení.

4.7. Použití speed systému

GAIA 2 je vybavena speed systémem. Další instrukce, jak připojit vlastní speed systém, najdete v instrukcích výrobce stroje. Před každým letem zkontrolujte, zda je speed systém dobře připevněn a zda je jeho chod volný. V případě, že je seda-

čka vybavena předním kontejnerem se záložním padákem, je nutné dbát na to, aby byl speed systém vždy veden pod kontejnerem a vedením volného konce záložního padáku. Jinak by mohlo dojít k problémům při použití záložního padáku. Použití speed systému může zvýšit maximální rychlost padáku až o 30% rychlosti. Zároveň se ale snižuje úhel náběhu a zvyšuje se tak riziko frontálního (nebo asymetrického) zaklpení. Nedoporučujeme tedy používat speed systém v malé výšce nebo v turbulentním prostředí.

4.8. Asymetrické nebo čelní (symetrické) zaklpení

Přestože se při testech prokázalo, že GAIA 2 se sám regeneruje při čelním zaklpení, doporučujeme aktivní pilotáž. Minimalizujete tak ztrátu výšky a výchylka ze směru letu bude minimální.

V případě čelního zaklpení (symetrického zaklpení):

- Krátce symetricky padák přibrzděte, znovuotevření se tak významně zrychlí.
- V případě asymetrického zaklpení:
- Vykloňte se v sedačce na opačnou stranu, než je zaklapnutá část vrchlíku a stejnou stranu mírně a citlivě přibrzděte. Předejdete tak změně směru letu.
- Zaklpenou stranu vrchlíku můžete rychleji znovu otevřít, pokud jedním rázným pohybem řidičky zaklpenou stranu „vyklepete“.

4.9. Full stall (Symetrické přetažení)

Za jistých meteorologických podmínek nebo při zvláštním režimu letu může u vrchlíku dojít k symetrickému přetažení (full stallu). Jedná se o obtížný režim a jeho řízení a vybírání nepatří k těm jednoduchým. V případě, že k přetažení došlo níže než 100 metrů nad zemí, doporučujeme obratem použít záchranný systém.

Hlavní příčiny přetažení:

- Špatně načasované nebo příliš hrubé stahování řízení v okamžiku, kdy padák neletí na dostatečné dopředné rychlosti (například ve chvíli, kdy křídlo vychází ze spirály nebo ve chvíli, kdy se teprve rozbíhá po vypuštění B-stallu).
- Promočená náběžná hrana (při dešti nebo po průletu mrakem), při které kapky vody znehodnocují profil náběžné hrany a aerodynamické vlastnosti křídla. Podobný problém může nastat i při neúměrně vysoké porozitě na tkanině náběžné hrany. Ať už k přetažení dojde z jakéhokoliv důvodu, může se přetažení projevit jako symetrické přetažení nebo jako negativní zatáčka (spin).
- V obou případech doporučujeme podobnou reakci:
- V případě, že došlo k tomuto režimu ve výšce vyšší než je 100 metrů a pilot si je jistý, že dokáže kluzák vyvézt z tohoto režimu, tedy umí uvést křídlo do úplného přetažení, stabilizovat jej a pak jej progresivně vypustit, pak je vhodné zvolit toto řešení.
- V případě, že k tomuto režimu dojde pod 100 metrů výšky, nebo v případě, že si pilot není jistý, že umí pomocí symetrického přetažení kluzák stabilizovat, pak doporučujeme bez váhání použít záložní padák.

4.10. Let bez možnosti použít brzdy (řízení)

Dojde-li k poškození řízení, je možno kluzák ovládat pomocí D řady šňůr. Řízení pomocí D šňůr musí být koordinované, protože účinnost je vyšší, ovládáte-li kluzák pomocí popruhů.

Tip: Tento způsob řízení kluzáku trénujte pro případ poškození řidiček.

4.11. Poznámky k testování a certifikačním letům

Všechny certifikační režimy se provádějí nad vodou, za stabilního počasí a v neturbulentní vzduchové hmotě, za standardního tlaku, teploty a vlhkosti. Provádějí je testovací piloti zvyklí reagovat na jakýkoli problém co nejhodnějším způsobem. Výsledky testu a letové protokoly jsou k dispozici na adrese: www.sky-cz.com

4.12. Nastavení sedačky

Testovací lety byly provedeny na sedačkách s ABS systémem a byly nastaveny dle níže uvedené tabulky:

Velikost	Vzdálenost od sedací desky sedačky	Vzdálenost mezi závěsnými body
GAIA 2 S	40-42 cm	39-42 cm
GAIA 2 M	41-43 cm	41-44 cm
GAIA 2 L	42-44 cm	43-46 cm
GAIA 2 XL	43-45 cm	46-49 cm

Při létání doporučujeme nastavit sedačku co nejbližší hodnotám, které byly na sedačkách při testech. Příliš dotažený ABS systém nebo použití křížových popruhů na sedačce může vést k nebezpečí „twistu“, příliš volně nastavené popruhy potom k tomu, že pilot nadměrně přepadává na zaklpenou stranu křídla. Nižší zavěšení snižuje stabilitu vašeho postroje a může zpomalit znovuotevření asymetrických zaklpení. Vyšší zavěšení (+ 2-4 cm), nemá žádný vliv na bezpečnost za letu, a proto může být tolerováno.

5. ÚDRŽBA A KONTROLY

5.1. Poznámky k údržbě

Životnost kluzáku do značné míry závisí na péči, se kterou jej budete udržovat a používat jej. Chcete-li maximalizovat životnost svého křídla, dodržujte prosím následující pravidla:

- Vyhněte se nadměrnému opotřebení při startu nebo přistání a vyhněte se pokládání nebo padání vrchlíku natlakovanou náběžnou hranou přímo do země (například při nácvičku startu a nezvládnutém předstřelu).
- Při přesunování na start netahejte tkaninu vrchlíku po zemi.
- Vyhněte se nadměrnému vystavování vrchlíku na přímé sluneční světlo.
- Vyberte si techniku skládání, která nepoškozuje výtzuhy náběžné hrany a nepoškozuje nadměrně vnitřní strukturu. Pokud chcete prodloužit životnost vrchlíku na maximum, doporučujeme jej nebalit do „quick packu“, nebo jakékoliv formy „carry all bagu“. Materiál se neúměrně poškozuje třením a snižuje se jeho životnost.
- Vždy používejte ochranný obal, aby se zabránilo přímému kontaktu s postrojem a sponami a minimalizovalo se odírání v batohu.
- Neskladujte padák vlhký. Pokud je kluzák namočen ve slané vodě, důkladně jej vypláchněte sladkou vodou. Nepoužívejte žádné chemické čisticí prostředky.
- Padák nesušte na přímém slunečním svitu a vždy jej sušte na dobře větraném místě.
- Pravidelně z vrchlíku odstraňujte všechny cizí předměty – písek, kobylky, kamínky... Dokonce i zbytky trávy mohou ve vrchlíku plesnivět a tkaninu poškodit. Větvičky, písek, oblázky, atd. poškozují tkaninu ve skladech a organické nečistoty rostlinného nebo živočišného původu (hmyzu) mohou podporovat růst plísní.

5.2. Prohlídky

Kluzák prošel celou řadou kontrol již při samotné výrobě a výrobce jej řádně zkontroloval. Je dodáván se standardním nastavením řidiček, stejným, jaké bylo použito při testování.

Pravidelné kontroly a opravy:

Z bezpečnostních důvodů doporučujeme pečlivě sledovat stav kluzáku a pravidelně jej nechat kontrolovat. Kontrola musí proběhnout u výrobce nebo u pověřené osoby v rámci pravidelných technických prohlídek. Před odesláním kluzáku na kontrolu, kontaktujte dovozce nebo prodejce. Kdykoliv dojde k sebemenší změně letových vlastností nebo nastane skutečnost, která může pevnost nebo letové charakteristiky ovlivnit, je nutná okamžitá kontrola u výrobce.

Opravy drobných trhlin

Malé trhliny ve vrchlíku do velikosti 4 cm mohou být opraveny samolepicí látkou, ze které byl vrchlík vyroben. Zachovejte přesah 3 cm na obou stranách trhliny a nalepte záplatu z obou stran.

Náhradní díly

Kluzák se skládá z mnoha vysoce kvalitních komponentů s dlouhou životností. Při výměně dílů (šňůry, volné konce, panely vrchlíku, atd), mohou být použity pouze originální díly. Kromě zachování letové způsobilosti kluzáku je to důležité pro vaši bezpečnost.

5.3. Záruka

Záruka na kluzák GAIA 2 je dvouletá a vztahuje se na jakoukoliv výrobní vadu od data nákupu.

Záruka se nevztahuje na:

- Škody způsobené nesprávným používáním, zanedbáním pravidelné údržby, nebo v případě, že je kluzák přetěžován.
- Záruka se rovněž nevztahuje na opotřebení a na poškození v důsledku nesprávné techniky pilotáže.

6. LIKVIDACE

I ty nejlepší výrobky mají omezenou životnost, a proto, jakmile váš kluzák dospěje do tohoto bodu, musí být řádně zlikvidován. Prosím zajistěte, aby byl váš kluzák zlikvidován správným způsobem vůči životnímu prostředí nebo jej pošlete zpět do Sky Paragliders a my to uděláme za vás.

Berte ohled na životní prostředí a pečujte o Vaše letecké terény. Provozujte náš sport s ohledem na faunu, flóru i druhé lidi! Nechod'te mimo vyznačené stezky, nezanedbávejte po sobě odpadky, nevytvářejte hluk.

Pokud máte pocit, že nerozumíte dostatečně některé části manuálu, kontaktujte prosím svého prodejce výrobků Sky Paragliders.



LINE SPECIFICATIONS | GAIA 2 S

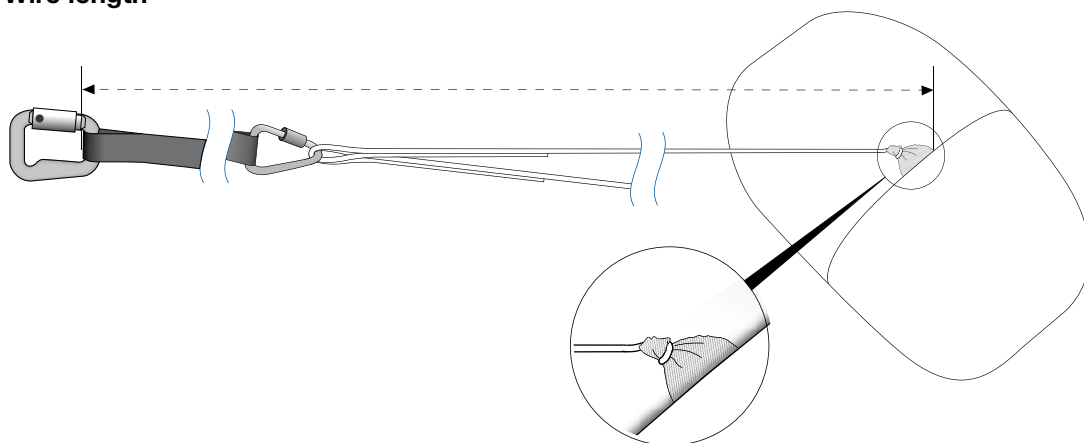
NAME	QUANTITY	MATERIAL	LL LENGTH	WIRE LENGTH	Certificati-on glider
A1	2	7850-100-222	112,3	629,2	629,4
A2	2	7850-100-222	109,7	626,6	626,9
AU1	2	7850-200-222	517,5		
A3	2	7850-080-222	219,4	625,6	626,6
A4	2	7850-080-222	211,6	617,8	618,6
A5	2	7850-080-222	215,4	621,6	622,4
AU2	2	7850-200-222	406,8		
A6	2	7850-080-222	230,2	616,7	617,7
A7	2	7850-080-222	220,3	606,8	607,5
A8	2	7850-080-222	213	599,5	600,2
AU3	2	7850-160-222	387,1		
B1	2	7850-100-372	112,4	623	623,6
B2	2	7850-100-372	109,7	620,3	620,7
BU1	2	7850-200-372	511,2		
B3	2	7850-080-372	219	619,3	619,9
B4	2	7850-080-372	211,6	611,9	612,5
B5	2	7850-080-372	215,7	616	616,8
BU2	2	7850-200-372	400,9		
B6	2	7850-080-372	227,9	612	613,1
B7	2	7850-080-372	220,3	604,4	605,3
B8	2	7850-080-372	214,4	598,5	599,3

NAME	QUANTITY	MATERIAL	LL LENGTH	WIRE LENGTH	Certificati-on glider
BU3	2	7850-160-372	384,7		
C1	2	7850-080-304	112,3	625,6	626,7
C2	2	7850-080-304	109,7	623	624
CU1	2	7850-160-304	513,9		
C3	2	7850-080-304	219	622,2	623,1
C4	2	7850-080-304	211,6	614,8	615,7
C5	2	7850-080-304	215,9	619,1	620
CU2	2	7850-160-304	403,8		
C6	2	7850-080-304	228,6	621,2	622,2
C7	2	7850-080-304	220,3	612,9	613,8
C8	2	7850-080-304	213,2	605,8	606,7
CU3	2	7850-160-304	393,2		
D1	2	7850-080-400	111,9	637,2	638,4
D2	2	7850-080-400	109,7	635	636,2
DU1	2	7850-160-400	525,9		
D3	2	7850-080-400	219	634,4	635,8
D4	2	7850-080-400	211,6	627	628,2
D5	2	7850-080-400	215,9	631,3	632,6
DU2	2	7850-160-400	416		
A9	2	7850-080-400	106,6	577,8	578,7
A10	2	7850-080-400	94,7	565,9	567,1

NAME	QUANTITY	MATERIAL	LL LENGTH	WIRE LENGTH	Certificati-on glider
B9	2	7850-080-400	104,5	575,7	576,7
C9	2	7850-080-400	111	582,2	583,3
SA	2	7850-080-400	85,2	556,4	557,7
SB	2	7850-080-400	84,4	555,6	556,7
SC	2	7850-080-400	87,9	559,1	560,3
SO	4	7850-080-400	188,8		
SU	2	7850-160-400	283,4		
F1	2	7850-080-114	240	701,7	705,7
F2	2	7850-080-114	216,5	678,2	682,2
F3	2	7850-080-114	205,6	667,3	671
FO1	2	7850-100-114	243,8		
F4	2	7850-080-114	217,9	655,3	658,7
F5	2	7850-080-114	206,3	643,7	647,2
F6	2	7850-080-114	206,5	643,9	647,3
FO2	2	7850-100-114	219,5		
F7	2	7850-080-114	189,4	639,8	643,2
F8	2	7850-080-114	180,5	630,9	634,5
F9	2	7850-080-114	172,5	622,9	625,8
F10	2	7850-080-114	166,4	616,8	619,7
FO3	2	7850-100-114	232,5		
FU	2	7850-200-114	220,1		

Measurements done according to the EN standard 926-2 |2013 (measured under a tension of 50N) Tolerance: +/- 1 cm

Wire length



LL Lenght (loop-loop)



1. Before checking the wire length, pre-tension the line by the load of 22 kilograms for about 3 seconds per each line.
2. Always measure the wire length only when the line is tensioned by 5 kilograms.
3. If you need to cut the new line, the line has to be stabilized by the tension of 22 kilograms and only then could be cut under the tension of 5 kilograms.

LINE SPECIFICATIONS | GAIA 2 M

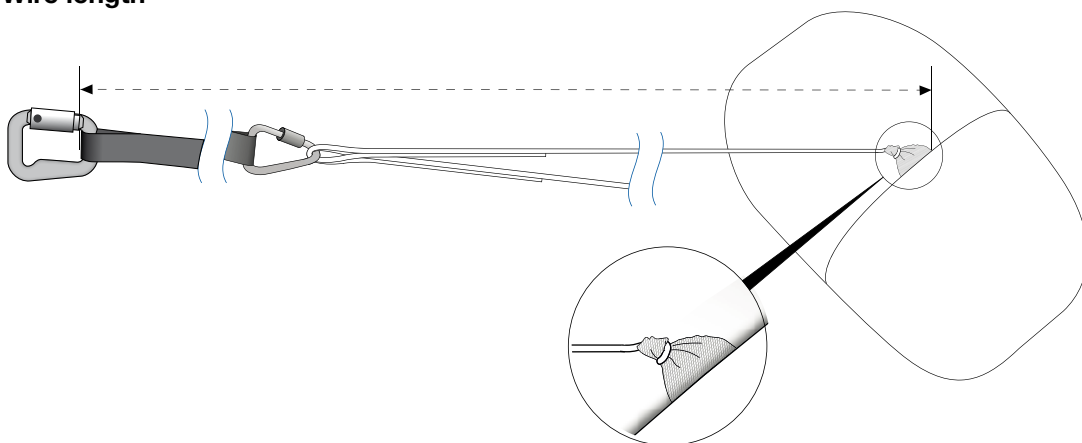
NAME	QUANTITY	MATERIAL	LL LENGTH	WIRE LENGTH	Certificati-on glider
A1	2	7850-100-222	116,8	654,4	654,9
A2	2	7850-100-222	114,1	651,7	652,4
AU1	2	7850-200-222	538,2		
A3	2	7850-080-222	228	650,6	652
A4	2	7850-080-222	220	642,6	643,8
A5	2	7850-080-222	223,9	646,5	647,7
AU2	2	7850-200-222	423,2		
A6	2	7850-080-222	239,5	641,5	642,3
A7	2	7850-080-222	229,1	631,1	632
A8	2	7850-080-222	221,5	623,5	624,3
AU3	2	7850-160-222	402,6		
B1	2	7850-100-372	116,9	647,9	648,7
B2	2	7850-100-372	114,1	645,1	645,9
BU1	2	7850-200-372	531,6		
B3	2	7850-080-372	227,8	644,2	645,4
B4	2	7850-080-372	220	636,4	637,7
B5	2	7850-080-372	224,3	640,7	642
BU2	2	7850-200-372	417		
B6	2	7850-080-372	237,1	636,6	637,5
B7	2	7850-080-372	229,1	628,6	629,6
B8	2	7850-080-372	222,9	622,4	623,7

NAME	QUANTITY	MATERIAL	LL LENGTH	WIRE LENGTH	Certificati-on glider
BU3	2	7850-160-372	400,1		
C1	2	7850-080-304	116,9	650,7	651,8
C2	2	7850-080-304	114,1	647,9	648,9
CU1	2	7850-160-304	534,4		
C3	2	7850-080-304	227,7	647,1	648,2
C4	2	7850-080-304	220	639,4	640,5
C5	2	7850-080-304	224,5	643,9	645
CU2	2	7850-160-304	420		
C6	2	7850-080-304	237,8	646	646,8
C7	2	7850-080-304	229,1	637,3	638,5
C8	2	7850-080-304	221,7	629,9	630,8
CU3	2	7850-160-304	408,8		
D1	2	7850-080-400	116,4	662,7	663,3
D2	2	7850-080-400	114,1	660,4	661,1
DU1	2	7850-160-400	546,9		
D3	2	7850-080-400	227,7	659,8	661
D4	2	7850-080-400	220	652,1	653
D5	2	7850-080-400	224,4	656,5	657,7
DU2	2	7850-160-400	432,7		
A9	2	7850-080-400	110,8	600,9	602,1
A10	2	7850-080-400	98,5	588,6	589,4

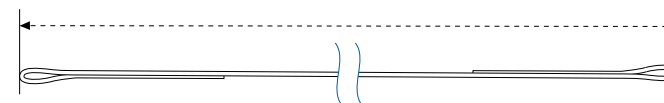
NAME	QUANTITY	MATERIAL	LL LENGTH	WIRE LENGTH	Certificati-on glider
B9	2	7850-080-400	108,7	598,8	599,7
C9	2	7850-080-400	115,4	605,5	606,3
SA	2	7850-080-400	88,6	578,7	579,7
SB	2	7850-080-400	87,8	577,9	579
SC	2	7850-080-400	91,4	581,5	582,5
SO	4	7850-080-400	196,3		
SU	2	7850-160-400	294,8		
F1	2	7850-080-114	249,6	729,9	734,6
F2	2	7850-080-114	225,1	705,4	709,7
F3	2	7850-080-114	213,8	694,1	698,6
FO1	2	7850-100-114	253,6		
F4	2	7850-080-114	226,6	681,6	685,9
F5	2	7850-080-114	214,6	669,6	673,7
F6	2	7850-080-114	214,7	669,7	673,7
FO2	2	7850-100-114	228,3		
F7	2	7850-080-114	197	665,5	669,3
F8	2	7850-080-114	187,7	656,2	660,2
F9	2	7850-080-114	179,4	647,9	651,7
F10	2	7850-080-114	173	641,5	645
FO3	2	7850-100-114	241,8		
FU	2	7850-200-114	228,9		

Measurements done according to the EN standard 926-2 |2013 (measured under a tension of 50N) Tolerance: +/- 1 cm

Wire length



LL Length (loop-loop)



1. Before checking the wire length, pre-tension the line by the load of 22 kilograms for about 3 seconds per each line.
2. Always measure the wire length only when the line is tensioned by 5 kilograms.
3. If you need to cut the new line, the line has to be stabilized by the tension of 22 kilograms and only then could be cut under the tension of 5 kilograms.

LINE SPECIFICATIONS | GAIA 2 L

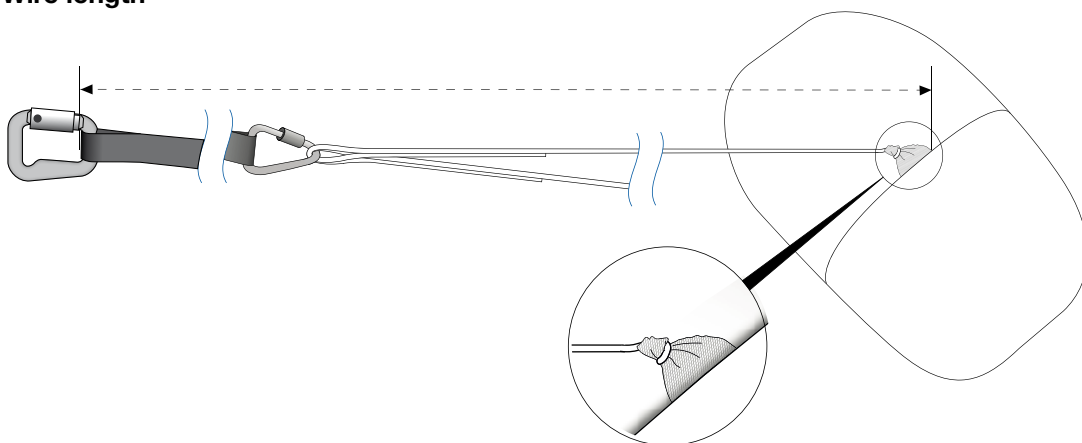
NAME	QUANTITY	MATERIAL	LL LENGTH	WIRE LENGTH	Certificati-on glider
A1	2	7850-100-114	121	678,9	679,6
A2	2	7850-100-114	118,3	676,2	677,1
AU1	2	7850-200-114	558,5		
A3	2	7850-080-114	236,7	675,1	675,7
A4	2	7850-080-114	228,3	666,7	667,4
A5	2	7850-080-114	232,3	670,7	671
AU2	2	7850-200-114	439		
A6	2	7850-080-114	248,4	665,5	666
A7	2	7850-080-114	237,7	654,8	655,1
A8	2	7850-080-114	229,8	646,9	647,1
AU3	2	7850-160-114	417,7		
B1	2	7850-100-372	121,2	672,2	673
B2	2	7850-100-372	118,3	669,3	669,9
BU1	2	7850-200-372	551,6		
B3	2	7850-080-372	236,3	668,3	669,3
B4	2	7850-080-372	228,3	660,3	661,3
B5	2	7850-080-372	232,7	664,7	665,5
BU2	2	7850-200-372	432,6		
B6	2	7850-080-372	246	660,5	661,1
B7	2	7850-080-372	237,7	652,2	652,5
B8	2	7850-080-372	231,3	645,8	646

NAME	QUANTITY	MATERIAL	LL LENGTH	WIRE LENGTH	Certificati-on glider
BU3	2	7850-160-372	415,1		
C1	2	7850-080-304	121,2	675,1	676,1
C2	2	7850-080-304	118,3	672,2	673
CU1	2	7850-160-304	554,5		
C3	2	7850-080-304	236,3	671,4	672,1
C4	2	7850-080-304	228,3	663,4	664,3
C5	2	7850-080-304	232,9	668	668,6
CU2	2	7850-160-304	435,7		
C6	2	7850-080-304	246,7	670,2	671,1
C7	2	7850-080-304	237,7	661,2	661,9
C8	2	7850-080-304	230	653,5	654
CU3	2	7850-160-304	424,1		
D1	2	7850-080-400	120,7	687,5	688,3
D2	2	7850-080-400	118,3	685,1	685,9
DU1	2	7850-160-400	567,4		
D3	2	7850-080-400	236,3	684,5	685,6
D4	2	7850-080-400	228,3	676,5	677,7
D5	2	7850-080-400	232,9	681,1	682,2
DU2	2	7850-160-400	448,8		
A9	2	7850-080-400	115	623,4	623,6
A10	2	7850-080-400	102,2	610,6	610,8

NAME	QUANTITY	MATERIAL	LL LENGTH	WIRE LENGTH	Certificati-on glider
B9	2	7850-080-400	112,7	621,1	621,5
C9	2	7850-080-400	119,7	628,1	628,4
SA	2	7850-080-400	91,9	600,3	601
SB	2	7850-080-400	91,1	599,5	600,4
SC	2	7850-080-400	94,9	603,3	604,1
SO	4	7850-080-400	203,6		
SU	2	7850-160-400	305,8		
F1	2	7850-080-114	258,9	757,2	761
F2	2	7850-080-114	233,6	731,9	736
F3	2	7850-080-114	221,9	720,2	724,2
FO1	2	7850-100-114	263,1		
F4	2	7850-080-114	235,1	707,1	710,7
F5	2	7850-080-114	222,6	694,6	698,5
F6	2	7850-080-114	222,8	694,8	698,4
FO2	2	7850-100-114	236,8		
F7	2	7850-080-114	204,3	690,4	694
F8	2	7850-080-114	194,7	680,8	684,4
F9	2	7850-080-114	186,1	672,2	675,7
F10	2	7850-080-114	179,5	665,6	668,8
FO3	2	7850-100-114	250,9		
FU	2	7850-200-114	237,4		

Measurements done according to the EN standard 926-2 |2013 (measured under a tension of 50N) Tolerance: +/- 1 cm

Wire length



LL Length (loop-loop)



1. Before checking the wire length, pre-tension the line by the load of 22 kilograms for about 3 seconds per each line.
2. Always measure the wire length only when the line is tensioned by 5 kilograms.
3. If you need to cut the new line, the line has to be stabilized by the tension of 22 kilograms and only then could be cut under the tension of 5 kilograms.

LINE SPECIFICATIONS | GAIA 2 XL

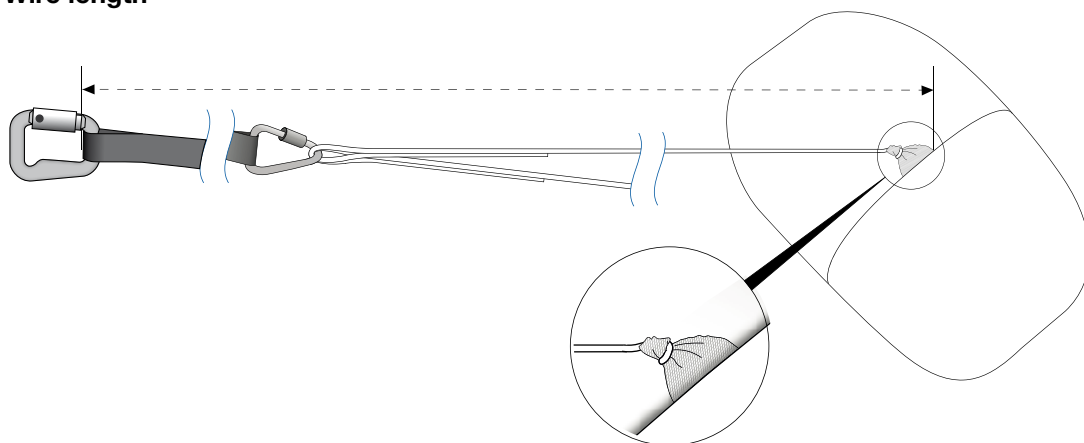
NAME	QUANTITY	MATERIAL	LL LENGTH	WIRE LENGTH	Certificati-on glider
A1	2	7850-100-222	126	706,1	706,8
A2	2	7850-100-222	123,1	703,2	704,1
AU1	2	7850-200-222	580,7		
A3	2	7850-080-222	246,2	702,1	703
A4	2	7850-080-222	237,4	693,3	694,1
A5	2	7850-080-222	241,7	697,6	698,3
AU2	2	7850-200-222	456,5		
A6	2	7850-080-222	258,4	692,2	692,7
A7	2	7850-080-222	247,2	681	681,4
A8	2	7850-080-222	238,9	672,7	672,9
AU3	2	7850-160-222	434,4		
B1	2	7850-100-372	126,1	699,1	698,7
B2	2	7850-100-372	123,1	696,1	695,7
BU1	2	7850-200-372	573,6		
B3	2	7850-080-372	245,8	695,1	696,3
B4	2	7850-080-372	237,4	686,7	688
B5	2	7850-080-372	242	691,3	692,5
BU2	2	7850-200-372	449,9		
B6	2	7850-080-372	255,9	687	688,2
B7	2	7850-080-372	247,2	678,3	679,3
B8	2	7850-080-372	240,5	671,6	672,3

NAME	QUANTITY	MATERIAL	LL LENGTH	WIRE LENGTH	Certificati-on glider
BU3	2	7850-160-372	431,7		
C1	2	7850-080-304	126,1	702,1	703,2
C2	2	7850-080-304	123,1	699,1	700,2
CU1	2	7850-160-304	576,6		
C3	2	7850-080-304	245,7	698,3	699,6
C4	2	7850-080-304	237,4	690	691,5
C5	2	7850-080-304	242,2	694,8	696,2
CU2	2	7850-160-304	453,2		
C6	2	7850-080-304	256,6	697	698,3
C7	2	7850-080-304	247,2	687,6	688,9
C8	2	7850-080-304	239,1	679,5	680,7
CU3	2	7850-160-304	441		
D1	2	7850-080-400	125,6	715	716,2
D2	2	7850-080-400	123,1	712,5	713,6
DU1	2	7850-160-400	590		
D3	2	7850-080-400	245,7	711,9	713,5
D4	2	7850-080-400	237,4	703,6	705
D5	2	7850-080-400	242,2	708,4	709,9
DU2	2	7850-160-400	466,8		
A9	2	7850-080-400	119,6	648,4	649,7
A10	2	7850-080-400	106,3	635,1	636,6

NAME	QUANTITY	MATERIAL	LL LENGTH	WIRE LENGTH	Certificati-on glider
B9	2	7850-080-400	117,2	646	647,3
C9	2	7850-080-400	124,5	653,3	654,6
SA	2	7850-080-400	95,6	624,4	625,9
SB	2	7850-080-400	94,7	623,5	625
SC	2	7850-080-400	98,6	627,4	629
SO	4	7850-080-400	211,8		
SU	2	7850-160-400	318		
F1	2	7850-080-114	269,3	787,6	791,4
F2	2	7850-080-114	242,9	761,2	765
F3	2	7850-080-114	230,7	749	752,7
FO1	2	7850-100-114	273,6		
F4	2	7850-080-114	244,5	735,5	739,4
F5	2	7850-080-114	231,5	722,5	726,3
F6	2	7850-080-114	231,7	722,7	726,4
FO2	2	7850-100-114	246,3		
F7	2	7850-080-114	212,5	718,1	721,9
F8	2	7850-080-114	202,5	708,1	712
F9	2	7850-080-114	193,5	699,1	702,9
F10	2	7850-080-114	186,7	692,3	695,8
FO3	2	7850-100-114	260,9		
FU	2	7850-200-114	246,9		

Measurements done according to the EN standard 926-2 |2013 (measured under a tension of 50N) Tolerance: +/- 1 cm

Wire length



LL Length (loop-loop)



1. Before checking the wire length, pre-tension the line by the load of 22 kilograms for about 3 seconds per each line.
2. Always measure the wire length only when the line is tensioned by 5 kilograms.
3. If you need to cut the new line, the line has to be stabilized by the tension of 22 kilograms and only then could be cut under the tension of 5 kilograms.



Sky Paragliders a.s.
Okružní 39, 739 11 Frýdlant nad Ostravicí, Czech Republic
Tel. +420 558 676 088, info@sky-cz.com, www.sky-cz.com